

**SINGER**  
**99W132**

Form 2554w

(1040)

Printed in U. S. A.

*Back Cabinet*

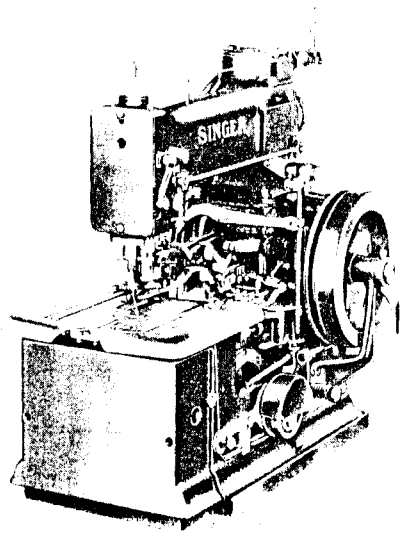
# SINGER

## 99w132



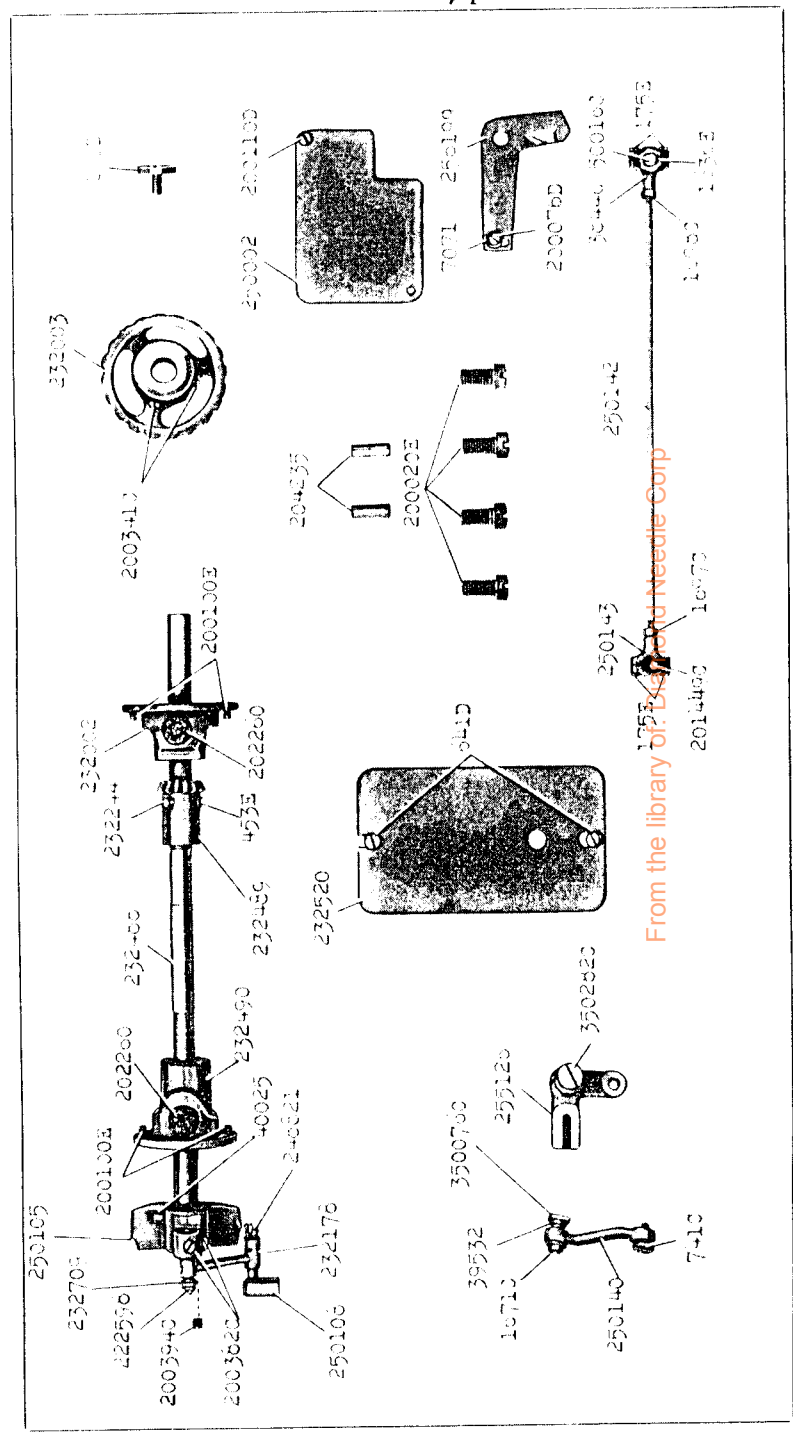
**THE SINGER MANUFACTURING COMPANY**

From the library of: Diamond Needle Corp

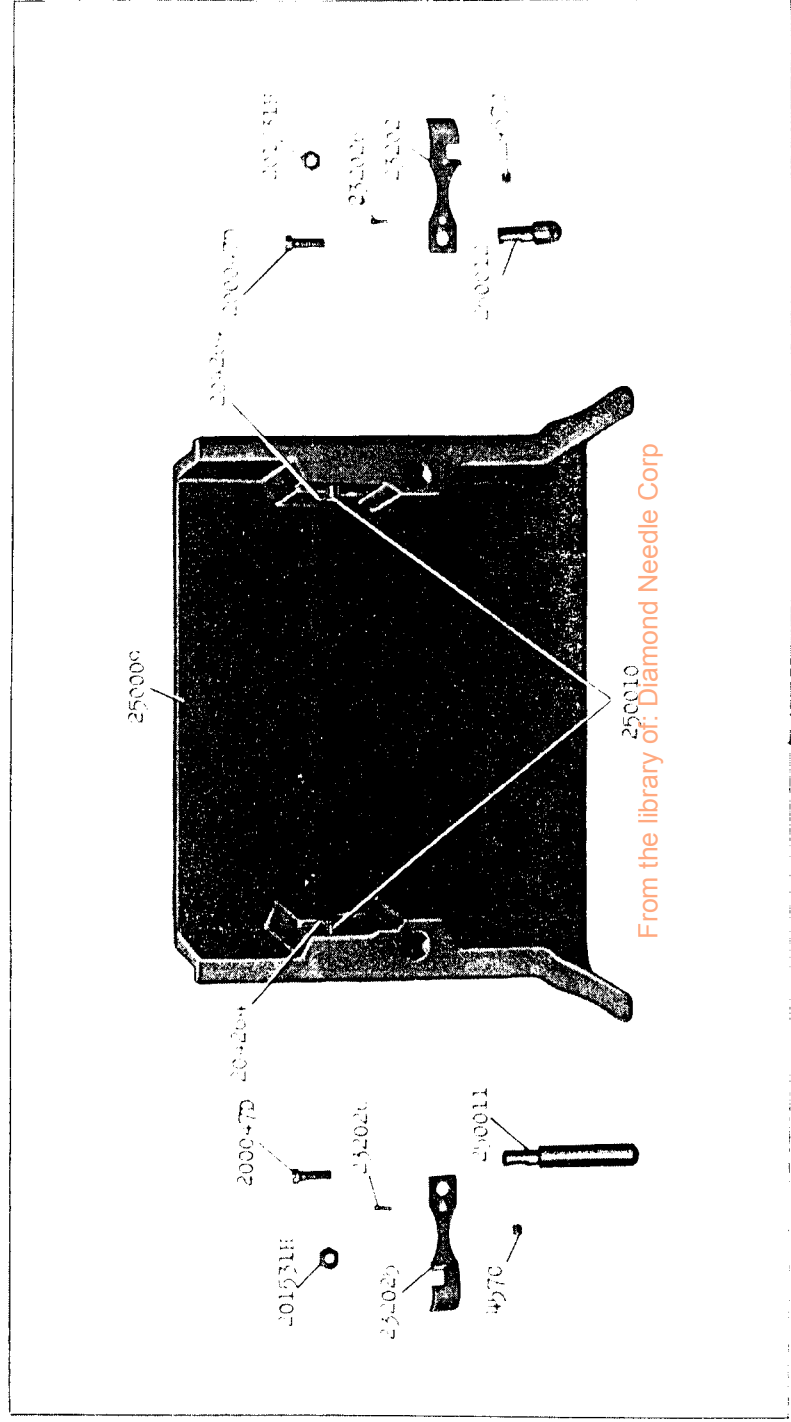
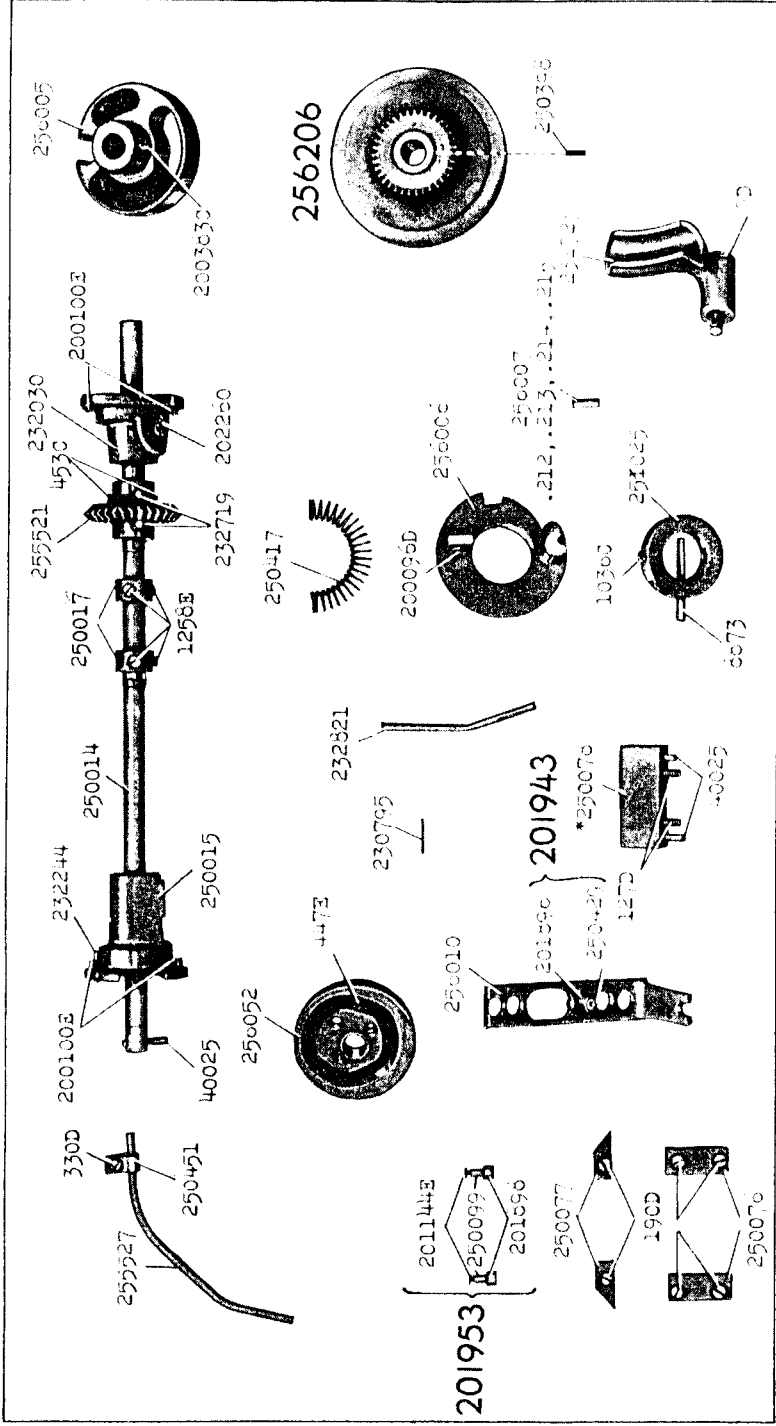


Copyright, U. S. A., 1937, 1939 and 1940  
 by The Singer Manufacturing Co.  
 All Rights Reserved for all Countries

16348 - 1/4

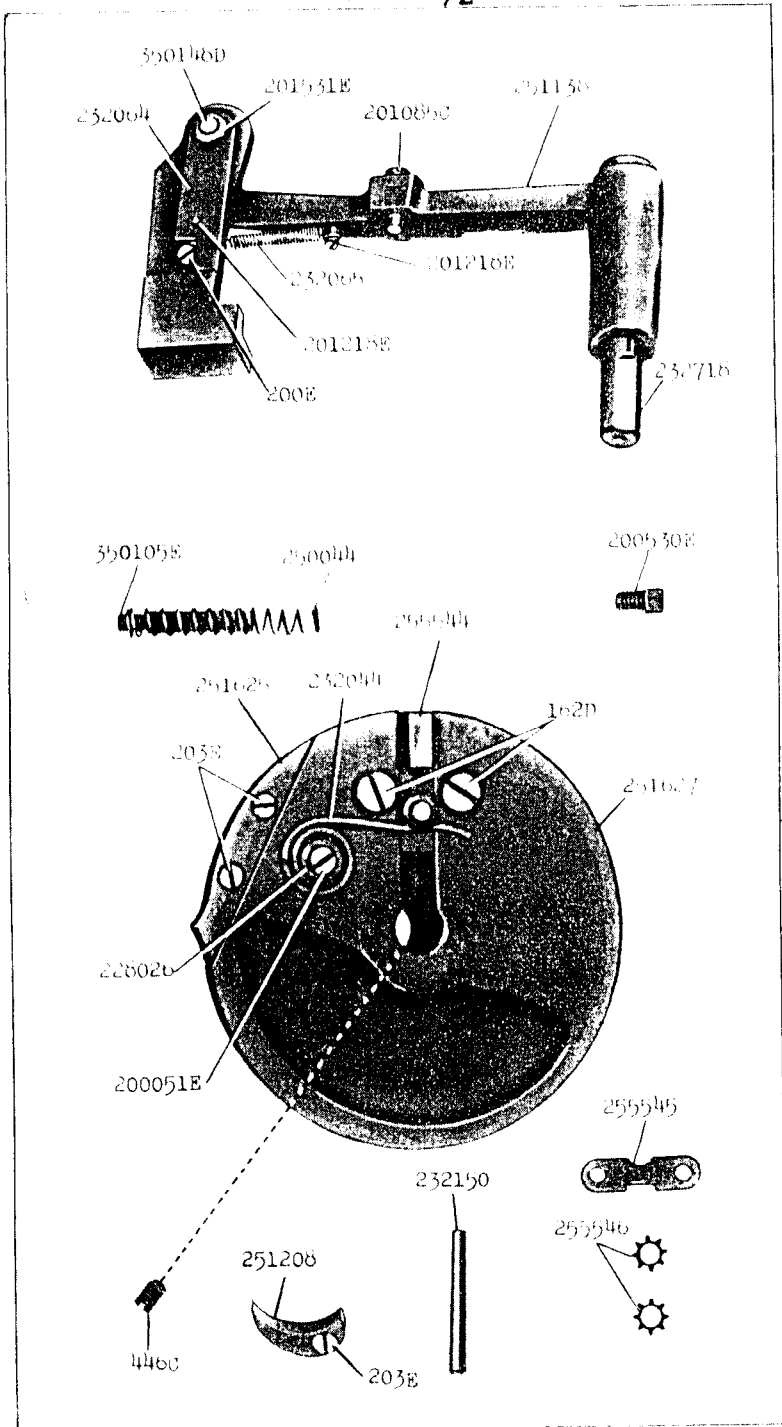


From the library of: **Exford Needle Corp**

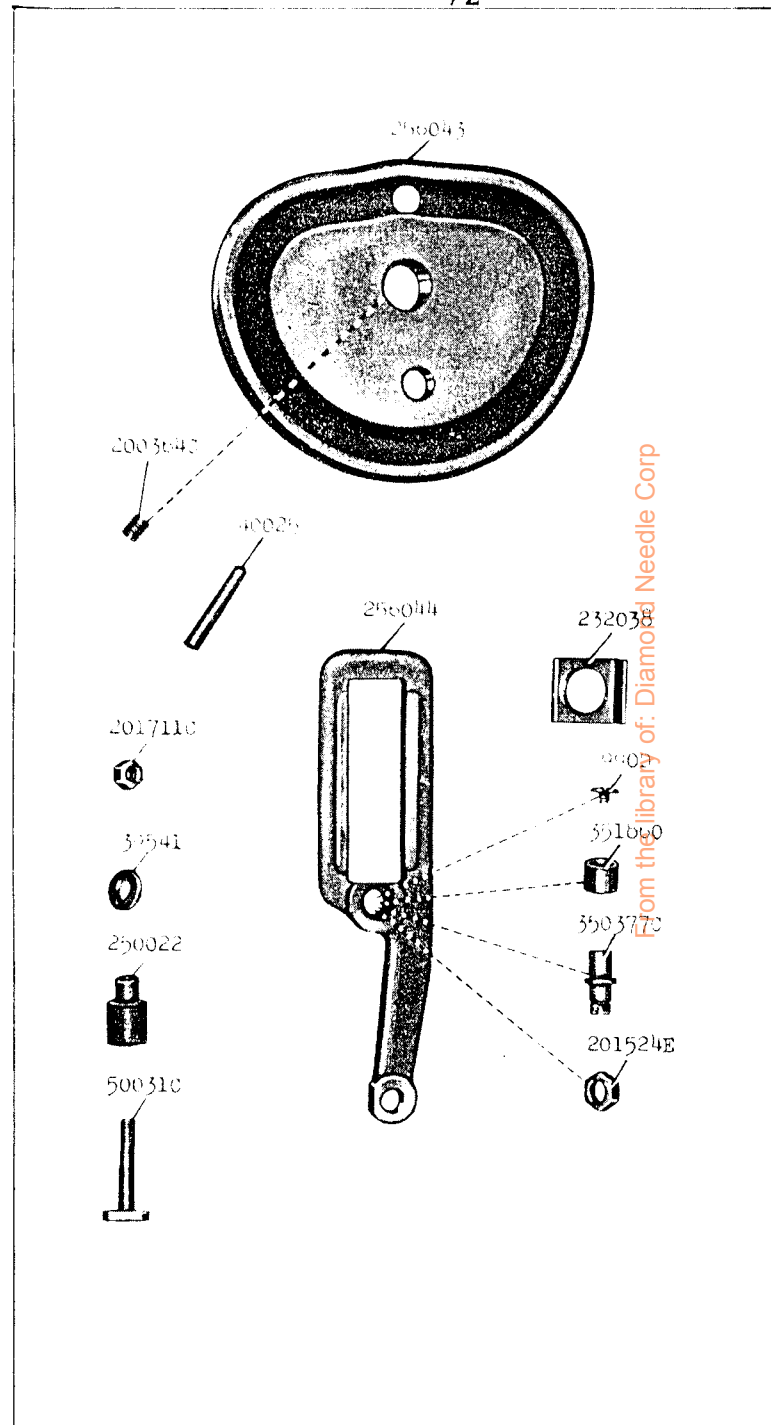


From the library of: Diamond Needle Corp

16354 - 1/2

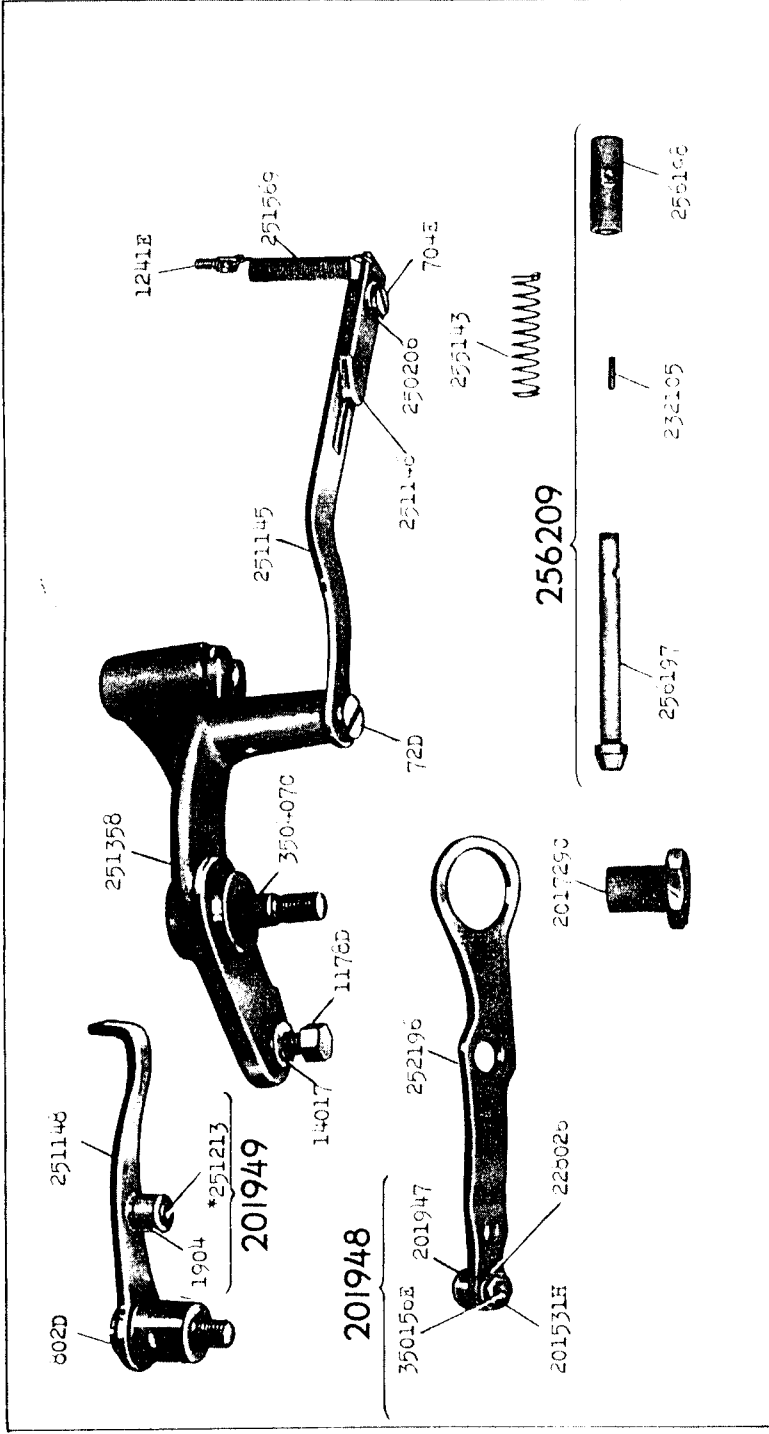


16356 - 1/2

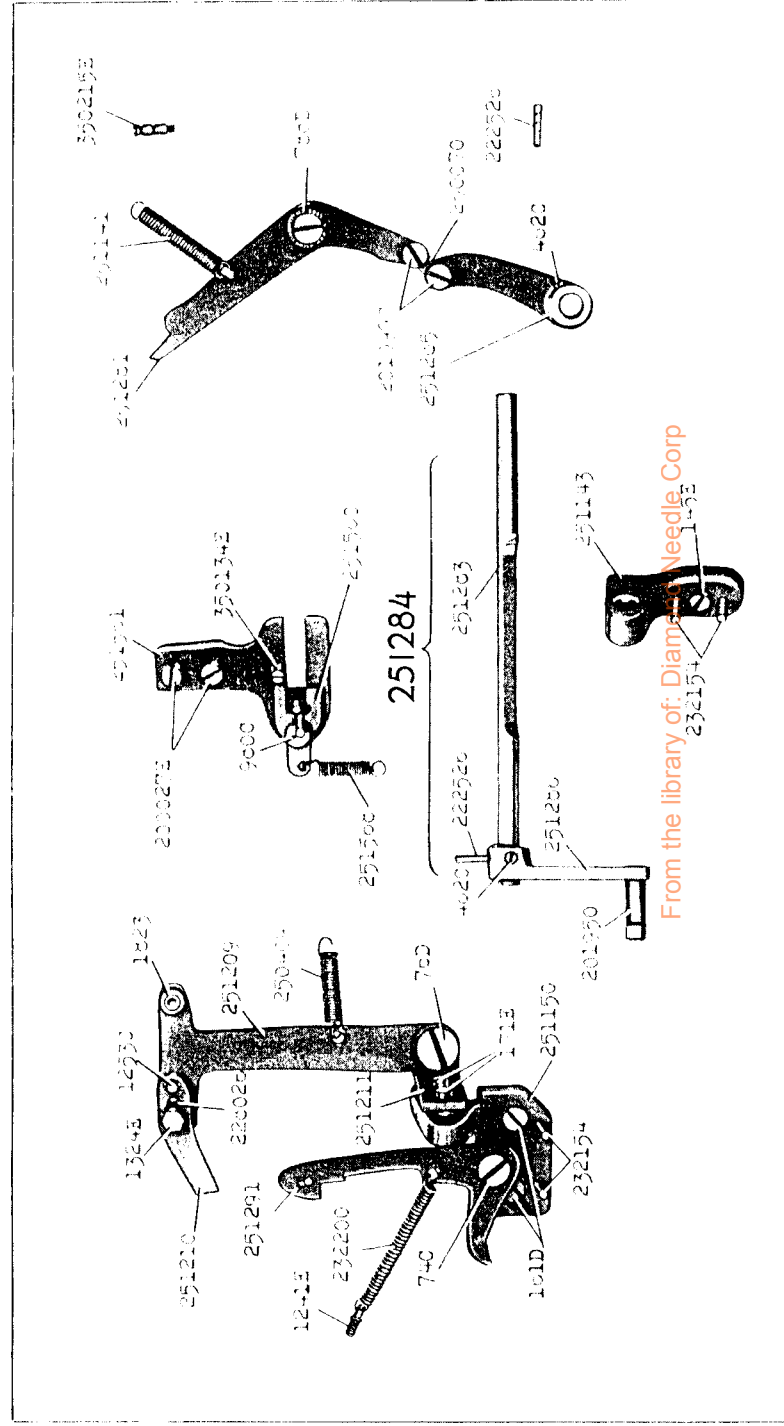


From the library of: Diamond Needle Corp

16357 - 1/2



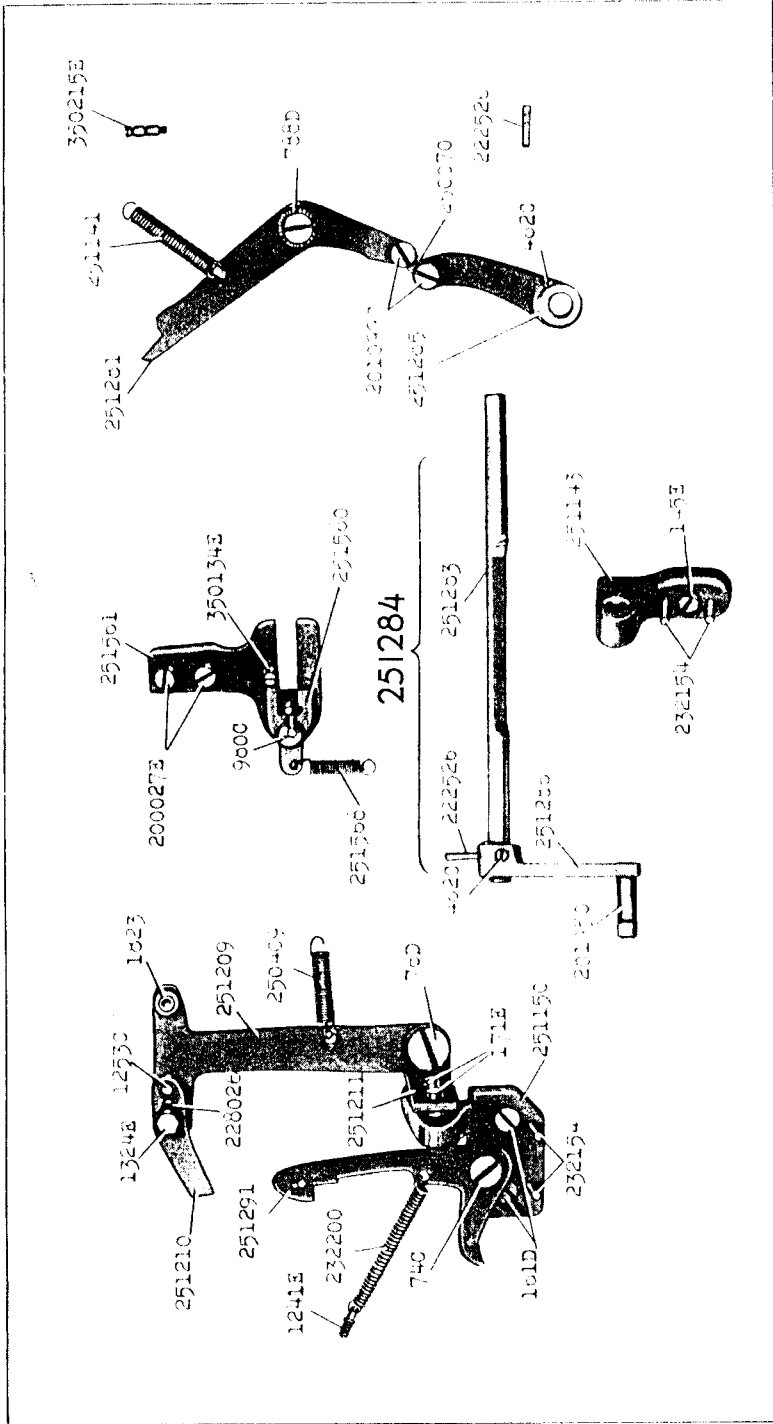
16359 - 3/8



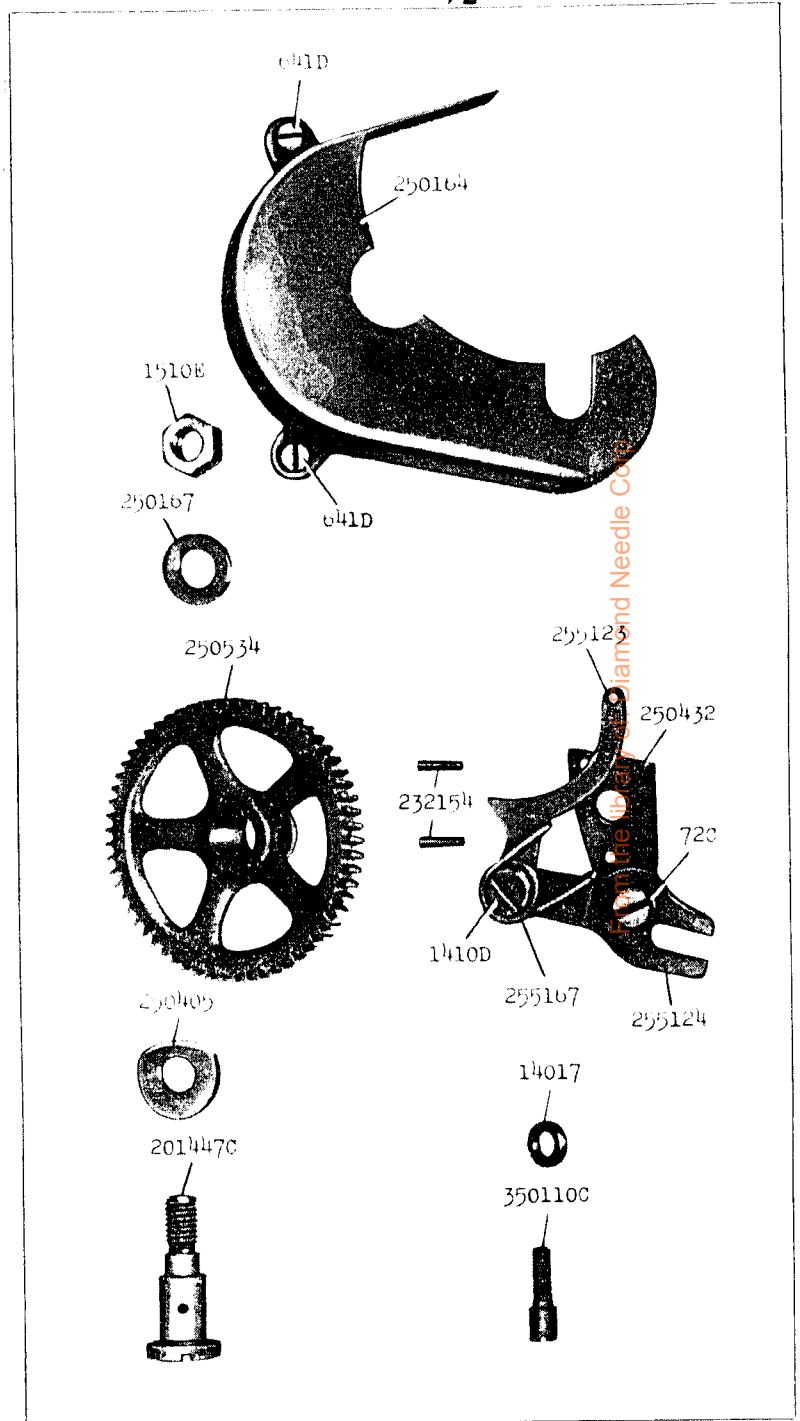
From the library of: Diamant Needle Corp



16359 - 3/8



16364 - 1/2

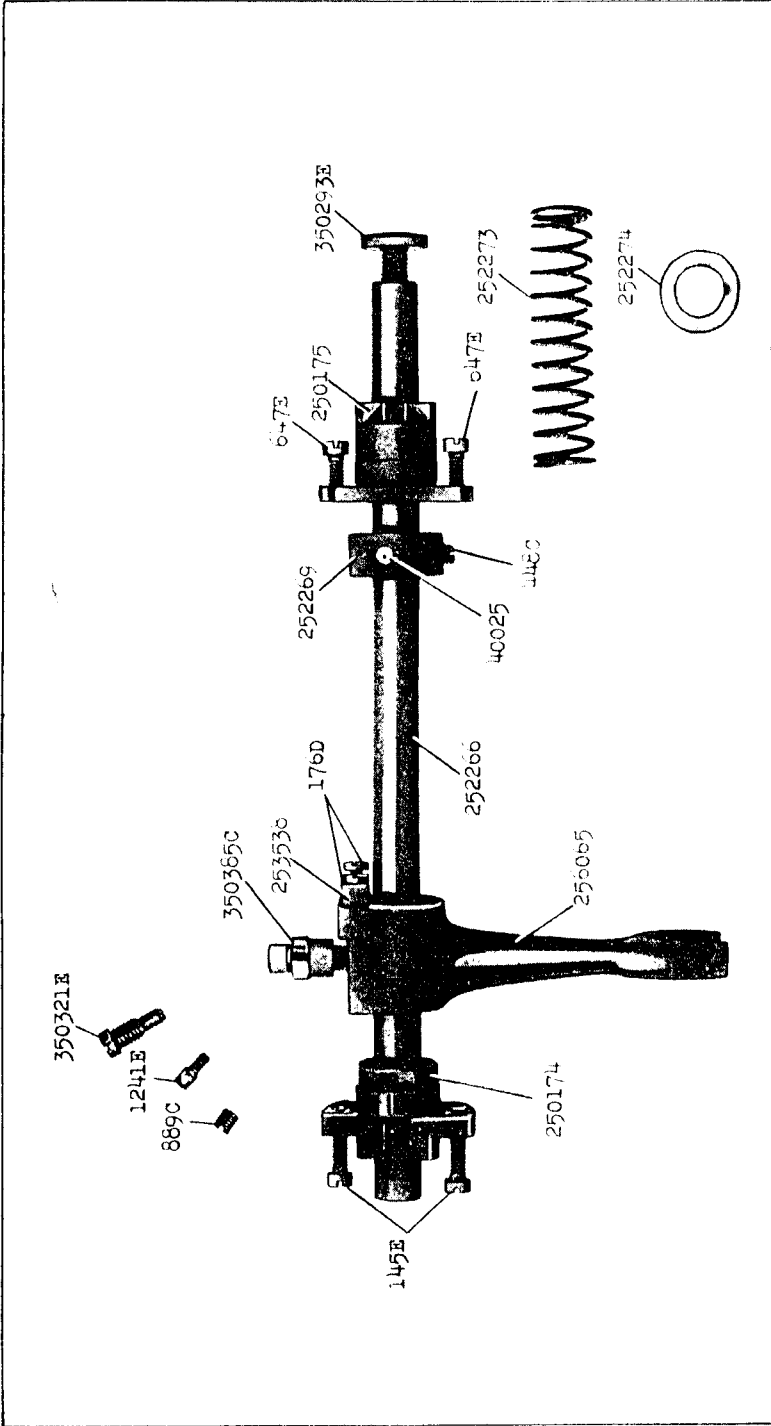




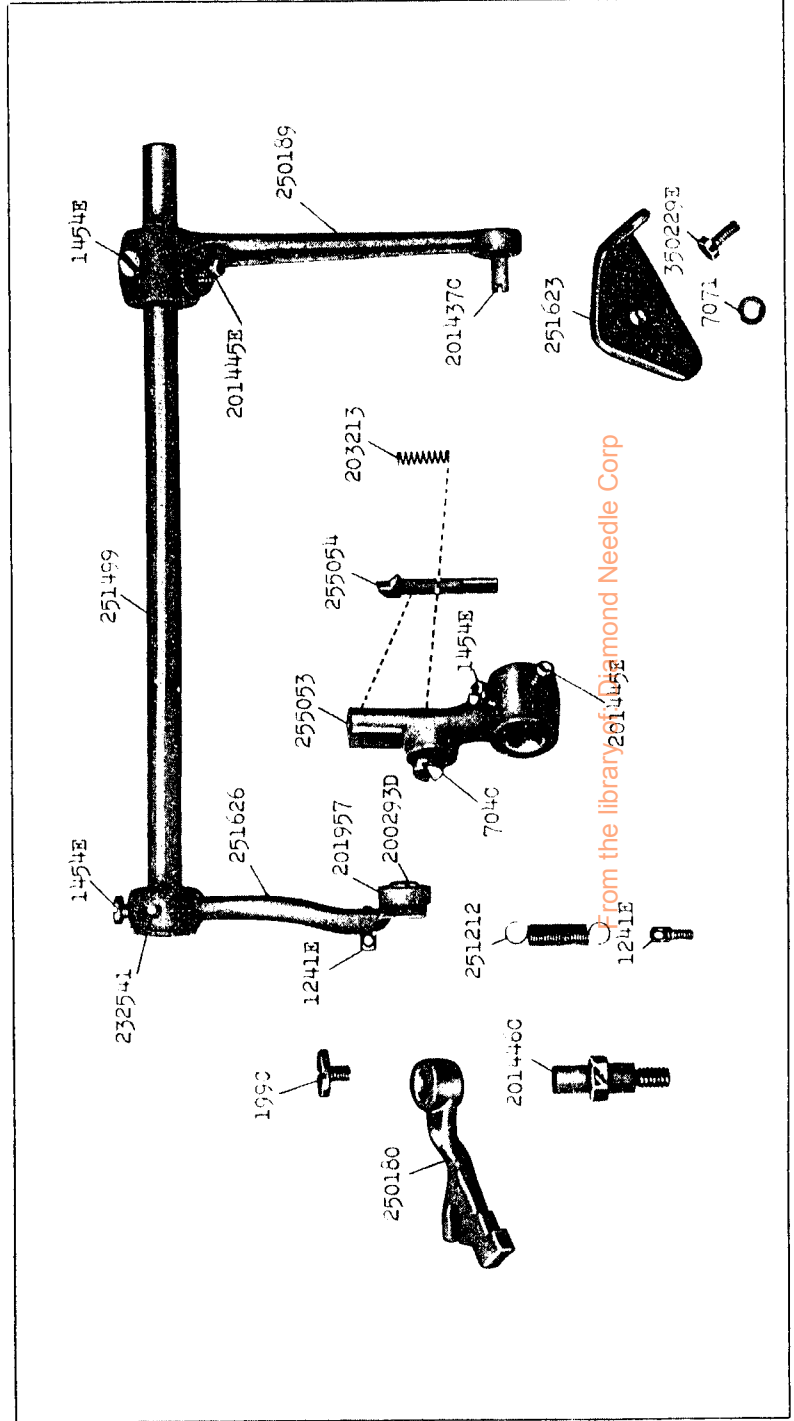




16372 - 1/2



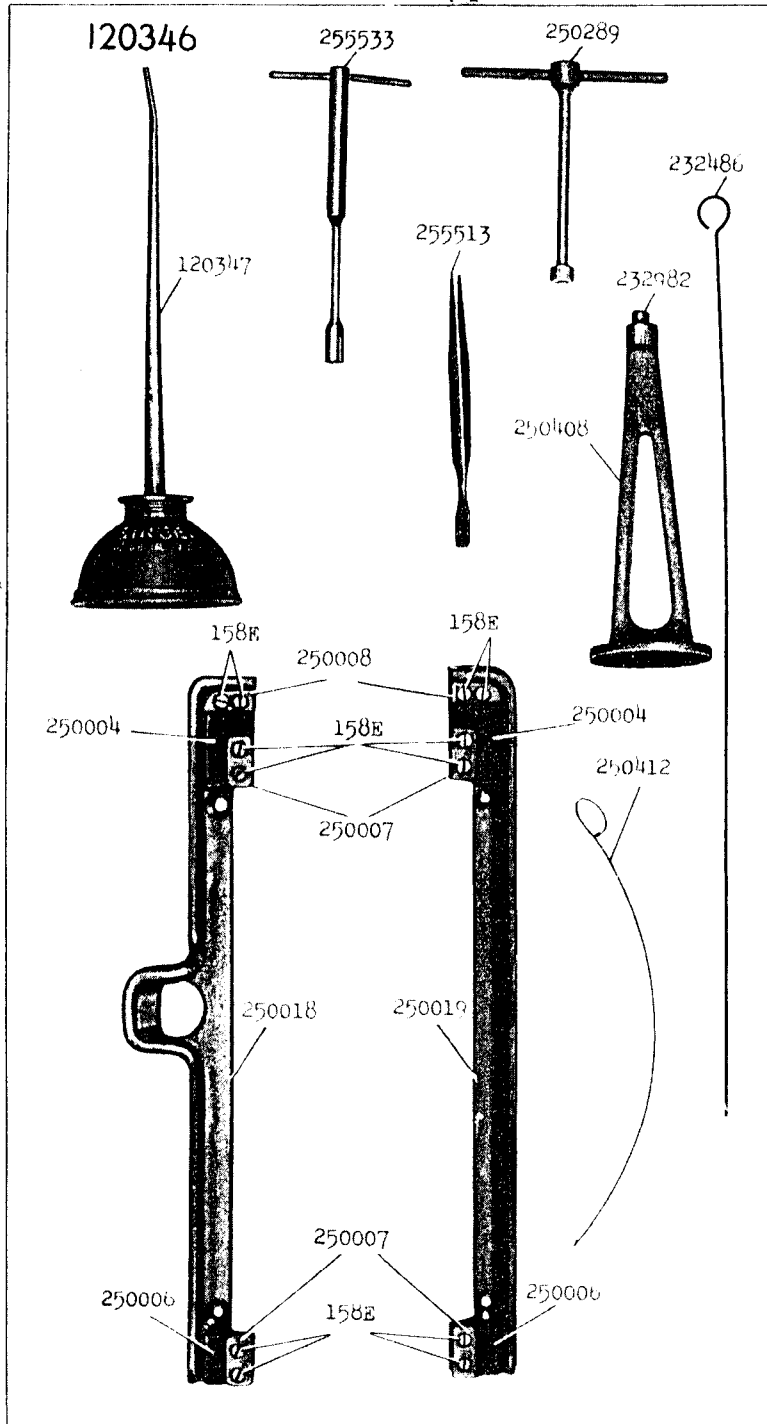
16373 - 1/2



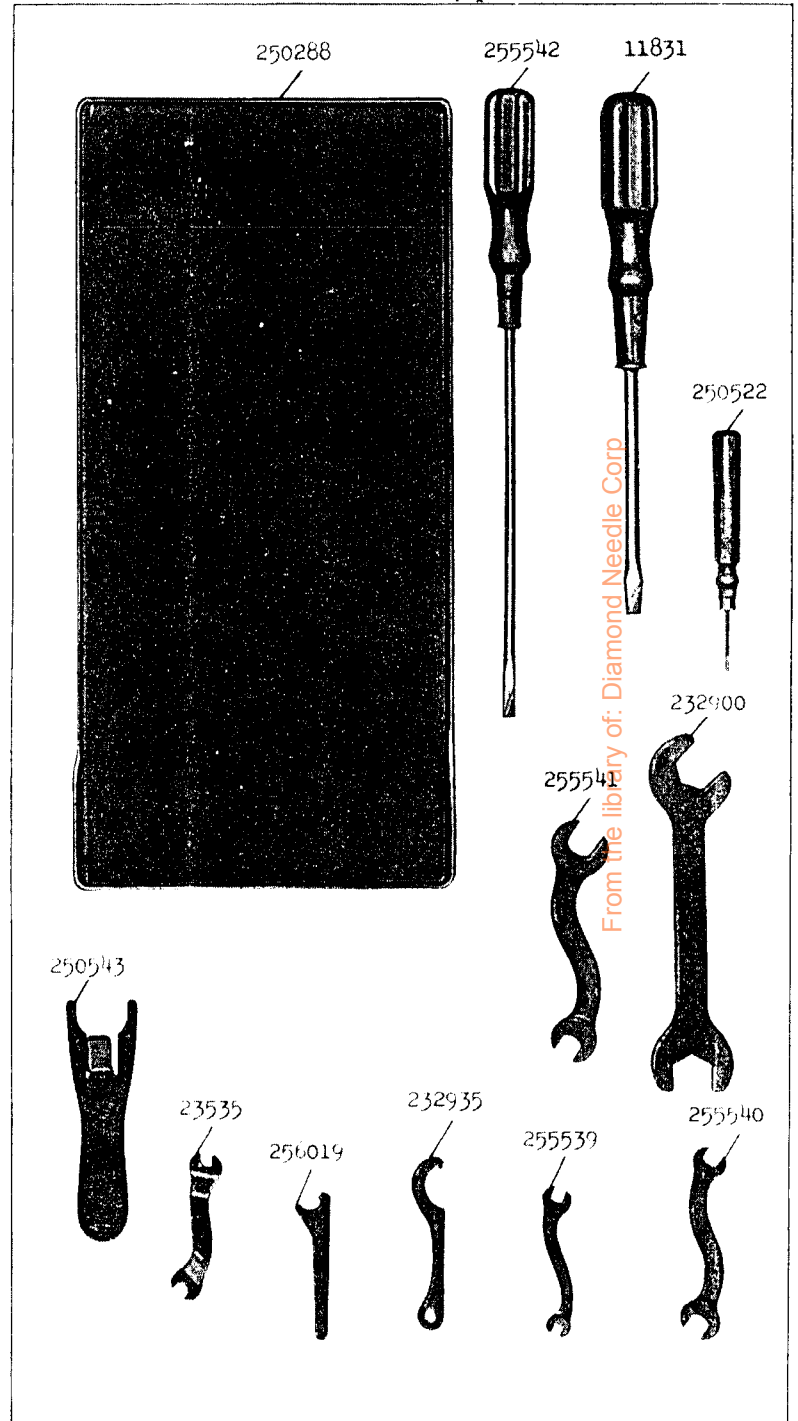
From the library of Diamond Needle Corp



16382 - 1/4



16383 - 1/4

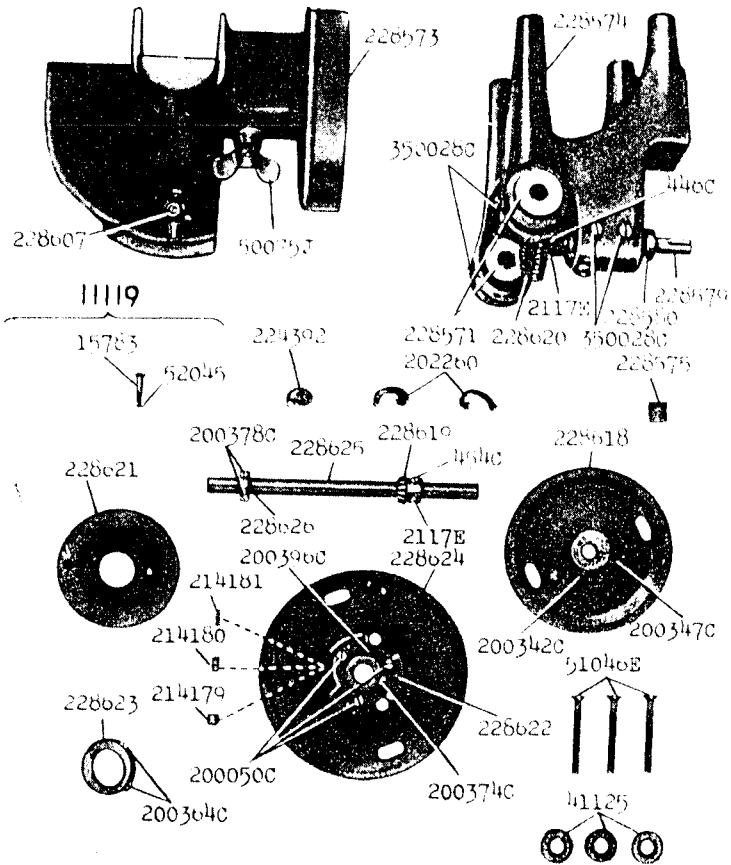




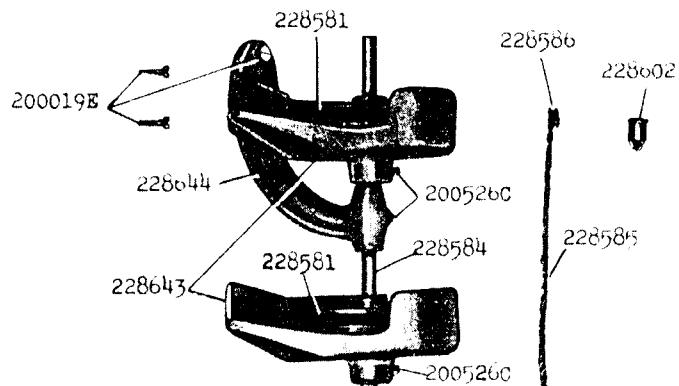
16386 - 1/6

228578

228627

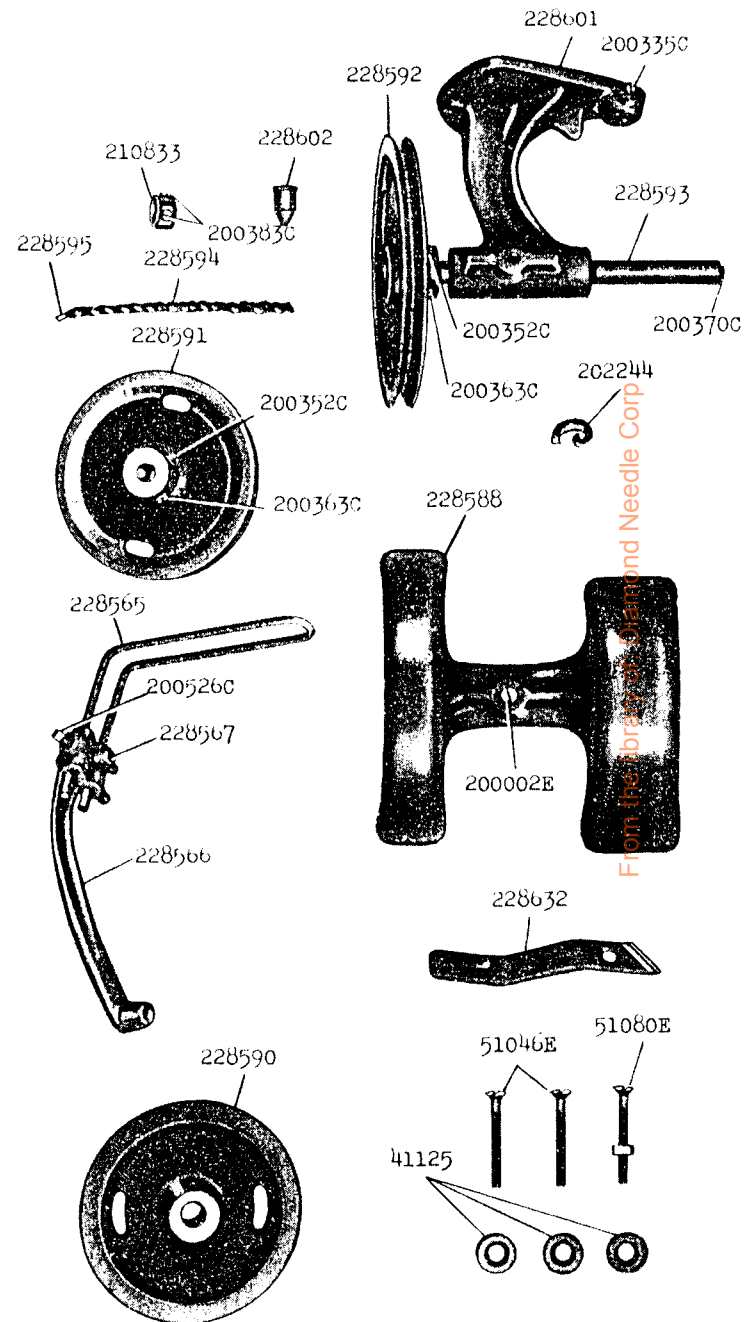


228587



16387 - 1/5

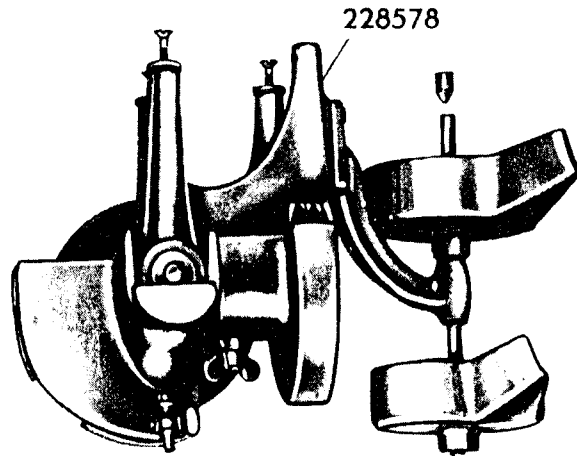
228596



From the files of Hamand Needle Corp

16388 - 1/6

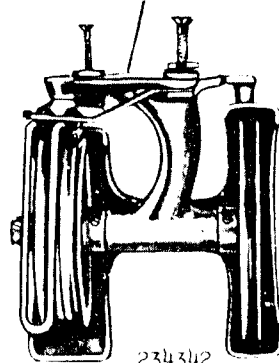
228599



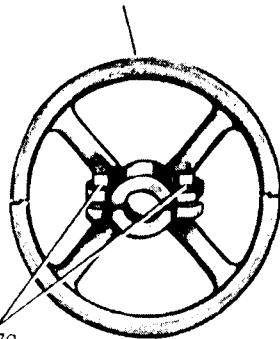
228578

- |              |              |
|--------------|--------------|
| 27271-4      | 27068-8      |
| 232920-4-1/2 | 232882-8-1/2 |
| 27065-5      | 27069-9      |
| 232879-5-1/2 | 232883-9-1/2 |
| 27066-6      | 27070-10     |
| 232880-6-1/2 | 27072-12     |
| 27067-7      | 27074-14     |
| 232881-7-1/2 | 27075-15     |

228596



234342

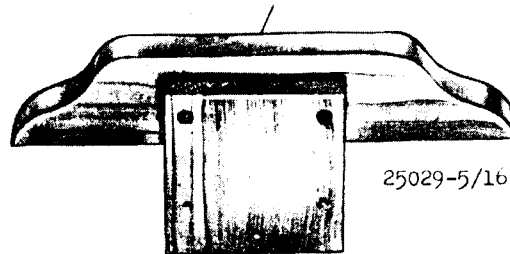


597C

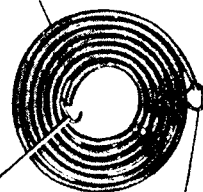


234344

- |                  |
|------------------|
| 228628-5/16 x 83 |
| 228631-3/8 x 133 |



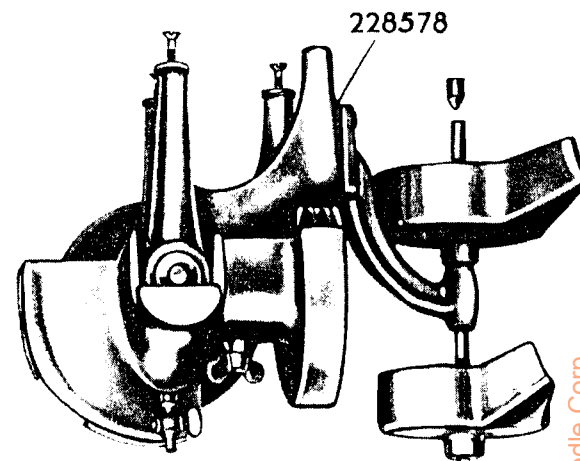
25029-5/16



25030-3/8

16389 - 1/6

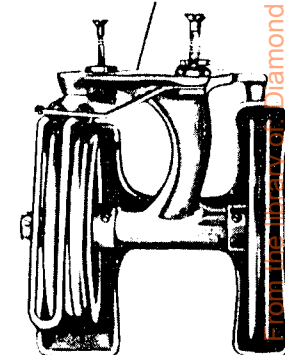
228609



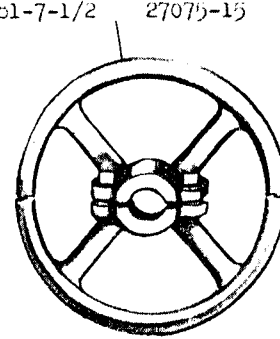
228578

- |              |              |
|--------------|--------------|
| 27271-4      | 27068-8      |
| 232920-4-1/2 | 232882-8-1/2 |
| 27065-5      | 27069-9      |
| 232879-5-1/2 | 232883-9-1/2 |
| 27066-6      | 27070-10     |
| 232880-6-1/2 | 27072-12     |
| 27067-7      | 27074-14     |
| 232881-7-1/2 | 27075-15     |

228596



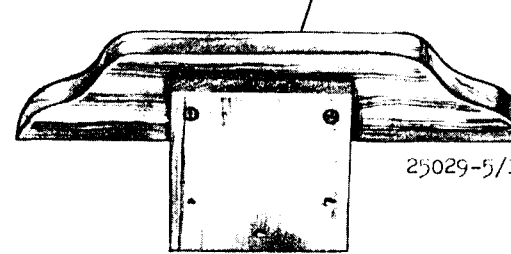
228608



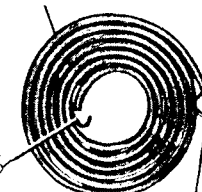
234344



- |                  |
|------------------|
| 228628-5/16 x 83 |
| 228631-3/8 x 133 |



25029-5/16



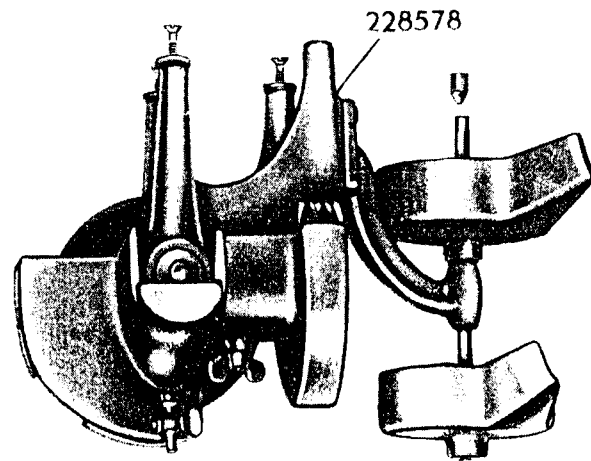
25030-3/8

From the library of Diamond Needle Corp



16390 - 1/6

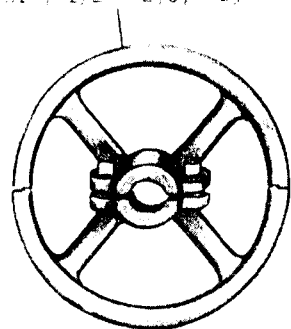
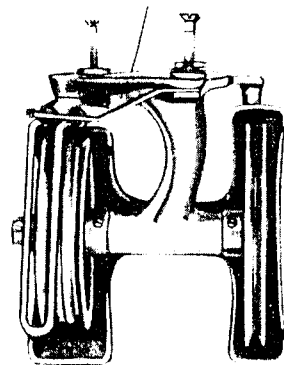
228611



228578

- 27071-1
- 232020-1-1/2
- 270-1
- 232070-1-1/2
- 270-6-6
- 232080-1-1/2
- 27071-7
- 27081-7-1/2
- 27080-8
- 242182-8-1/2
- 270-9-1
- 232083-1-1/2
- 27070-10
- 27072-10
- 27074-14
- 27075-19

228596

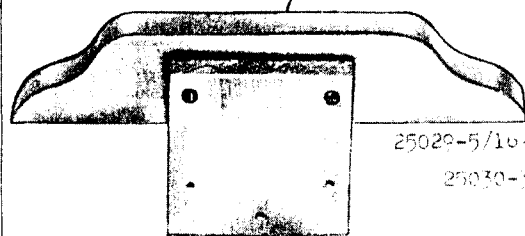


234344

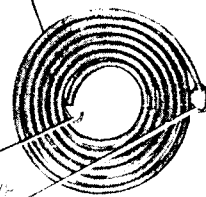
228610



228600-1/16 x 1.5  
 228631-3/8 x 1.53



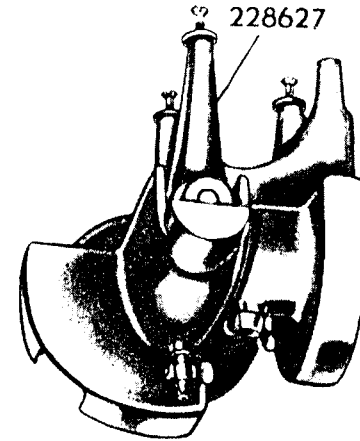
25029-5/16



25030-3/8

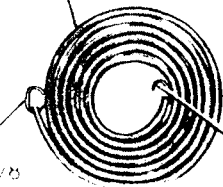
16391 - 1/6

228605



228627

228620-5/16 x 1.5  
 228621-3/8 x 1.7



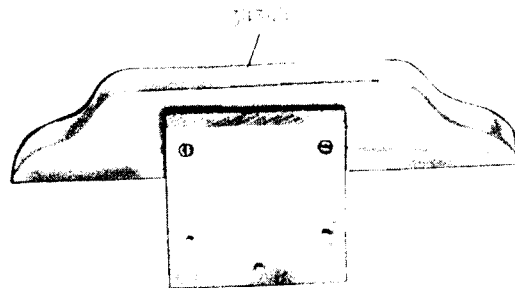
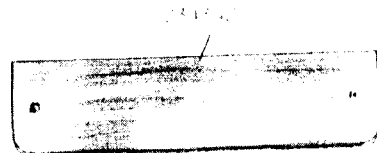
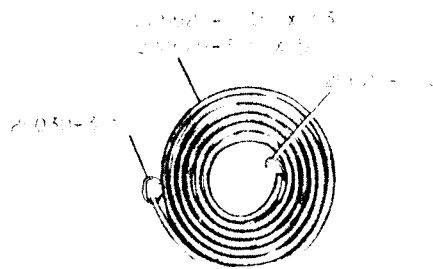
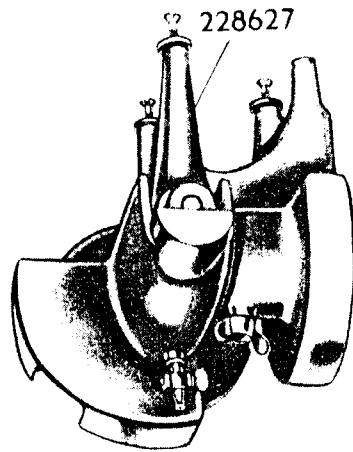
25030-3/8

25029-5/16

From the library of: Diamond Needle Corp

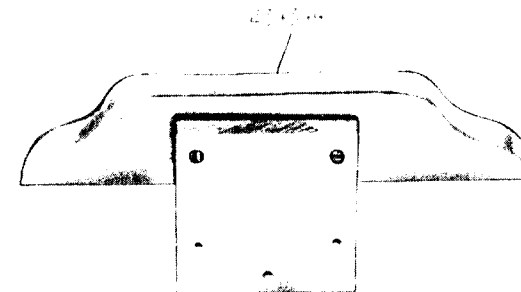
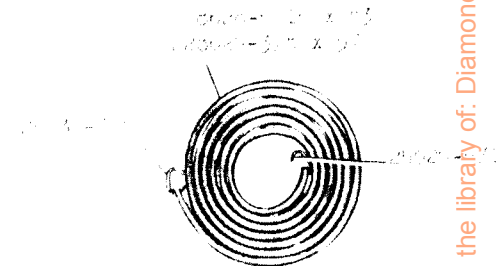
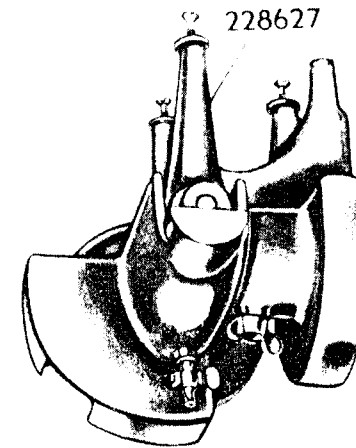
16392 - 1/6

228612



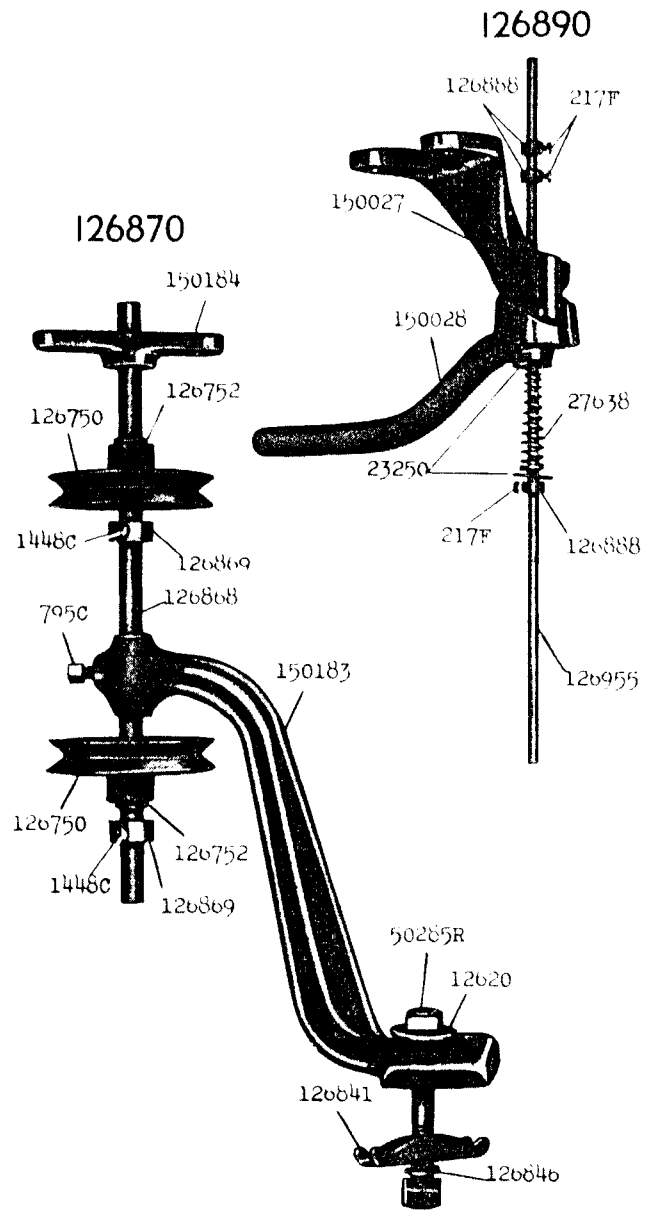
16393 - 1/6

228613



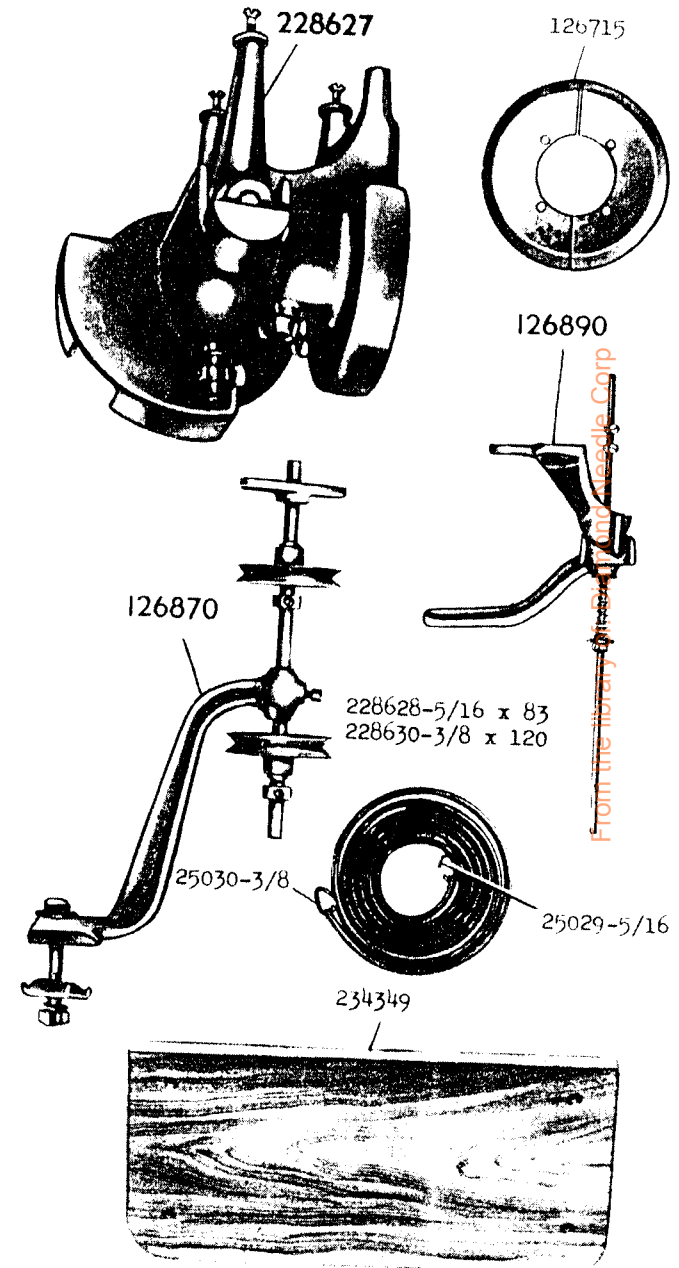
From the library of: Diamond Needle Corp

16394 - 1/4



16395 - 1/6

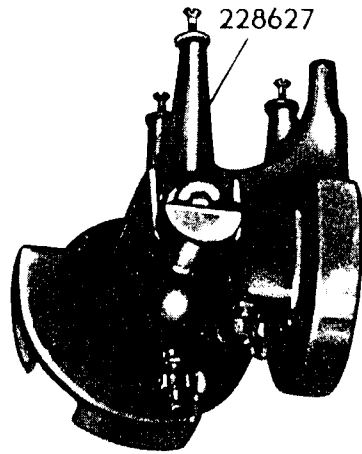
228645



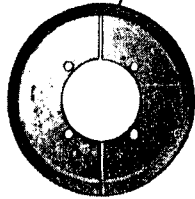
From the library of the Army and Missile Corp

16396 - 1/6

228646



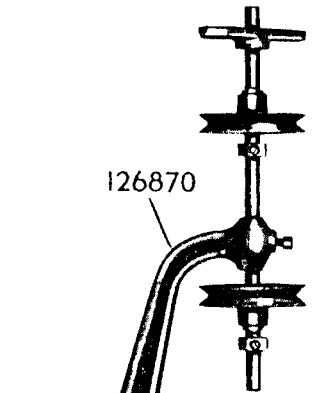
126715



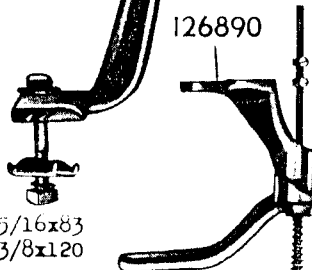
234350



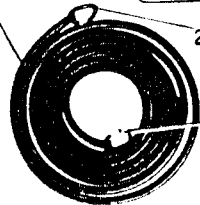
126870



126890



228628-5/16x83  
228630-3/8x120

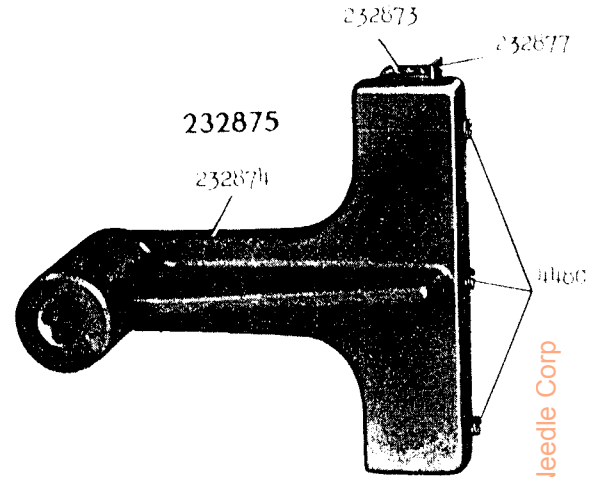


25030-3/8

25029  
5/16

16401 - 1/2

232878



232873

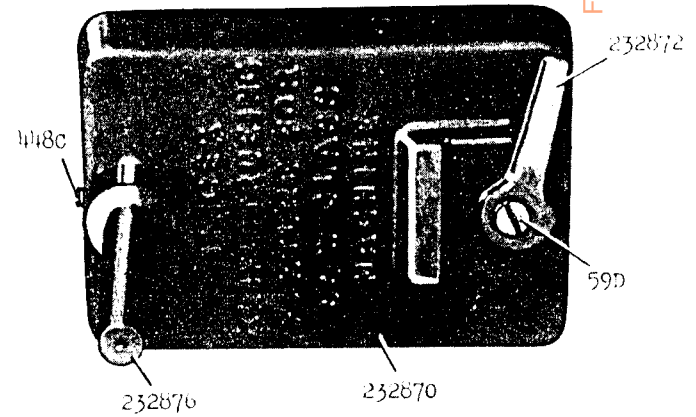
232877

232875

232874

From the library of: Diamond Needle Corp

232871



232872

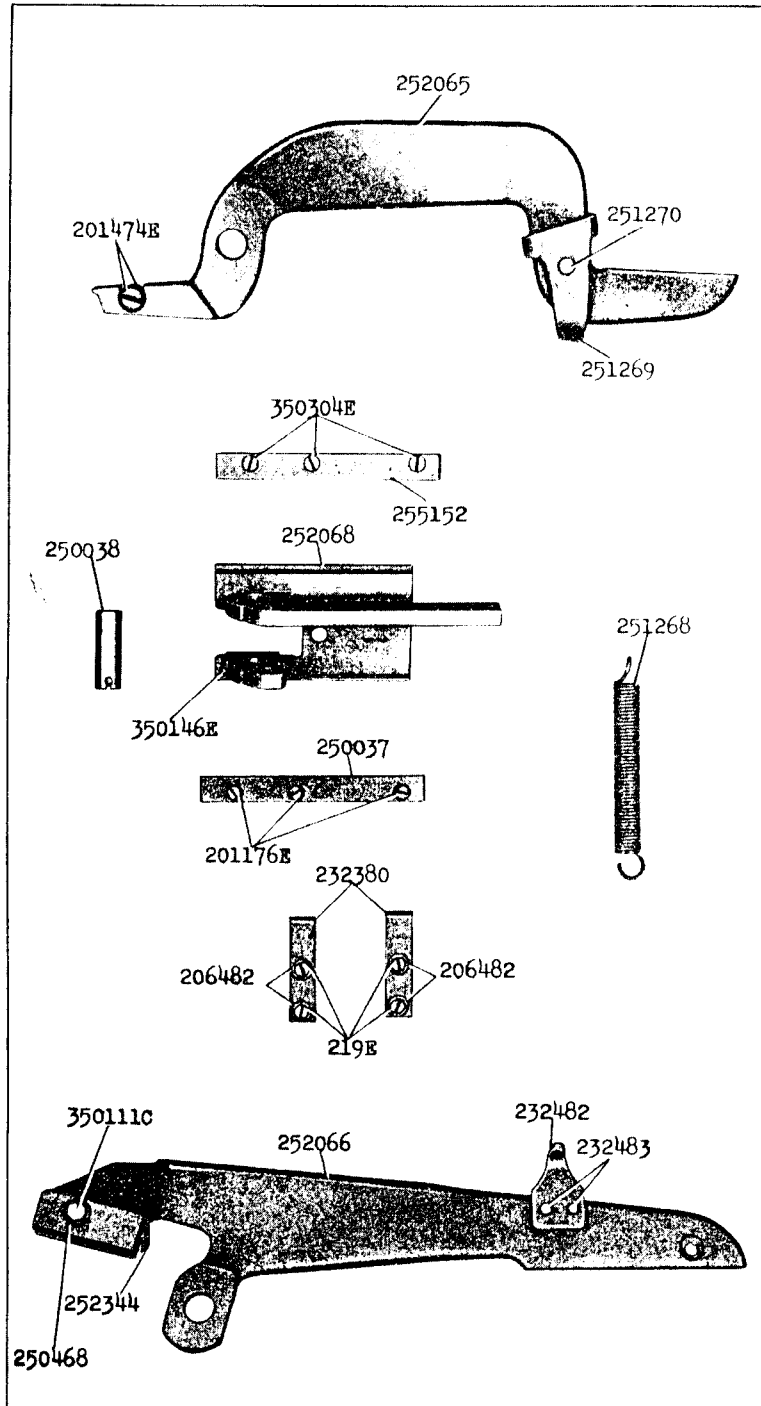
1118c

59D

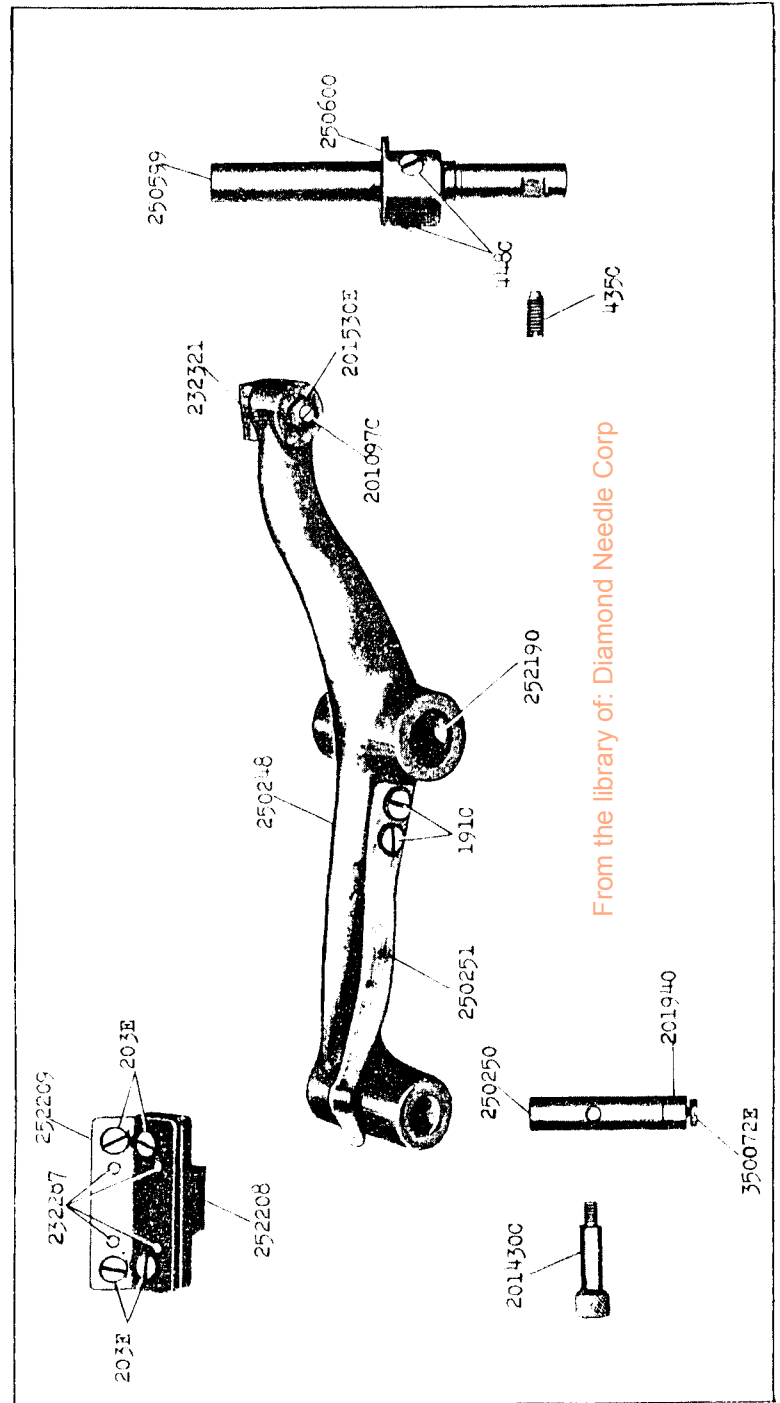
232876

232870

16456 - 1/3



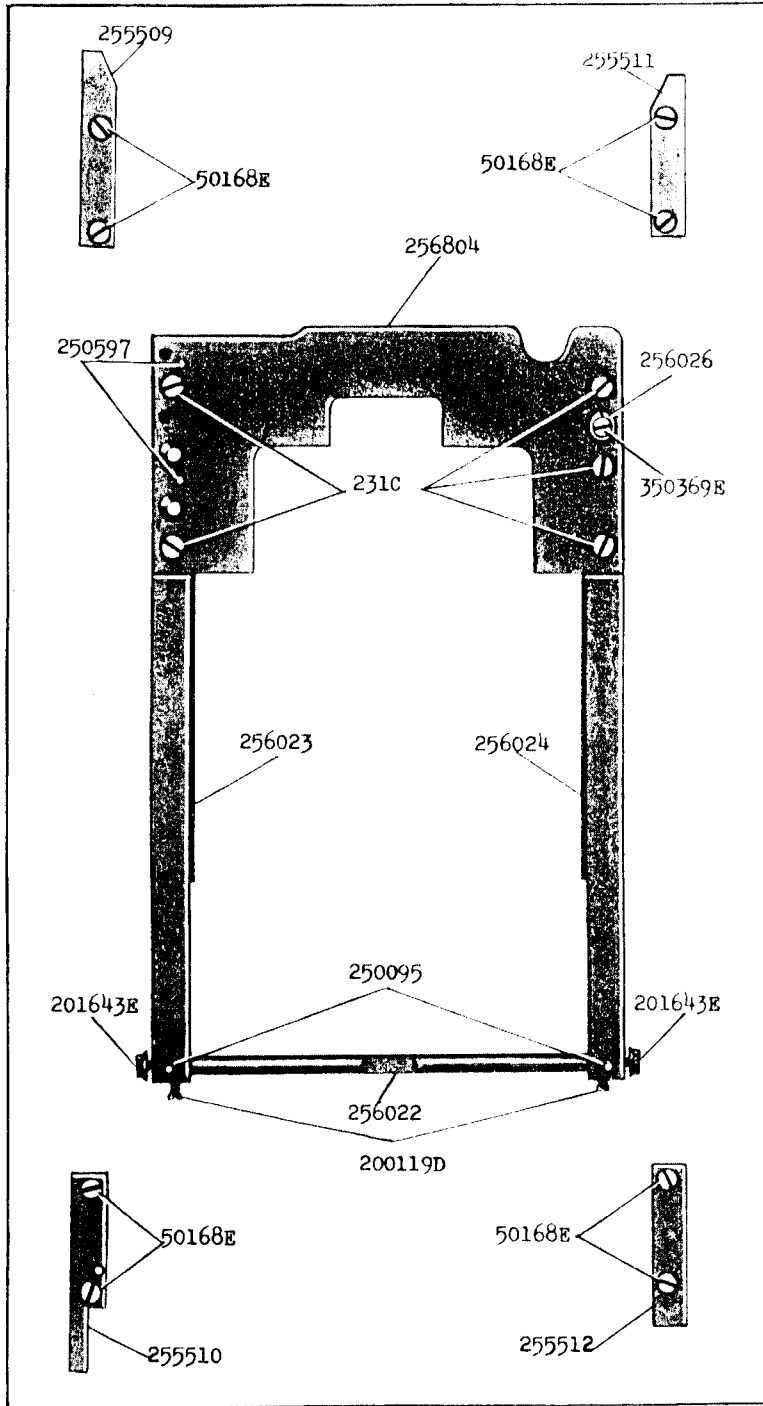
16461 - 1/2



From the library of: Diamond Needle Corp



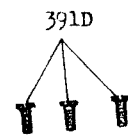
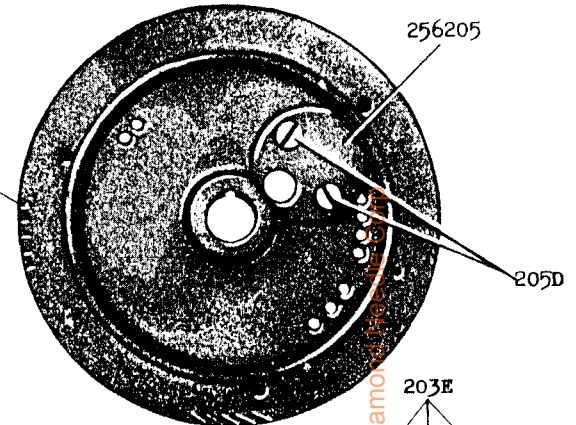
16468 - 3/8



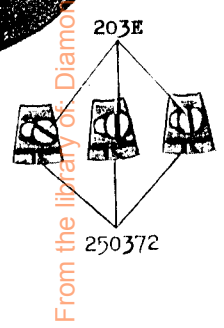
16472 - 1/2

- 256829 - 7/8 Eye (M) & St.  
 256831 - 1 1/8 " " " "  
 256833 - 1 3/8 " " " "  
 256835 - 1 5/8 " " " "  
 256837 - 1 7/8 " " " "

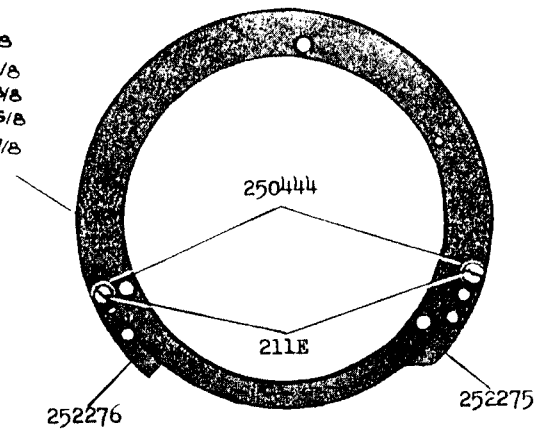
- 256828 - 7/8  
 256830 - 1 1/8  
 256832 - 1 3/8  
 256834 - 1 5/8  
 256836 - 1 7/8



- 256849 - 7/8  
 252293 - 1 1/8  
 252295 - 1 3/8  
 252297 - 1 5/8  
 252299 - 1 7/8



- 256848 - 7/8  
 252259 - 1 1/8  
 252261 - 1 3/8  
 252263 - 1 5/8  
 252265 - 1 7/8



16473 - 1/2

256839 - 7/8 Eye (L) & St.

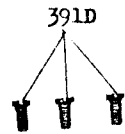
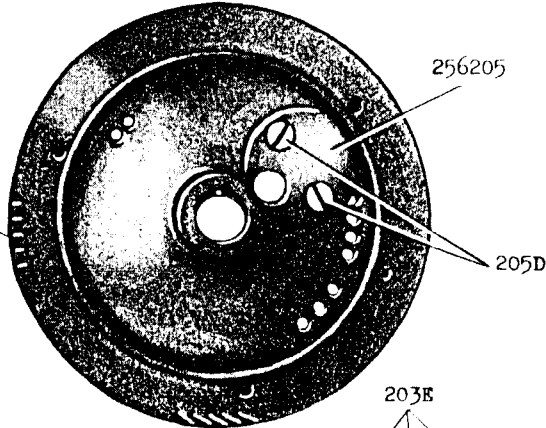
256841 - 1 1/8 " " " "

256843 - 1 3/8 " " " "

256845 - 1 5/8 " " " "

256847 - 1 7/8 " " " "

256838 - 7/8  
256840 - 1 1/8  
256842 - 1 3/8  
256844 - 1 5/8  
256846 - 1 7/8



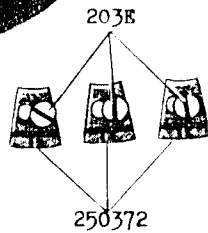
256849 - 7/8

252293 - 1 1/8

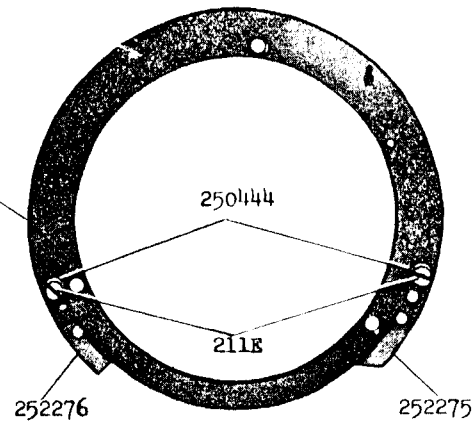
252295 - 1 3/8

252297 - 1 5/8

252299 - 1 7/8



256848 - 7/8  
252259 - 1 1/8  
252261 - 1 3/8  
252263 - 1 5/8  
252265 - 1 7/8



16476 - 2/3

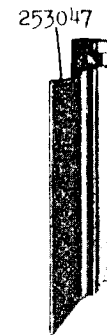
253159 - 3/4  
253160 - 7/8  
253161 - 1  
253162 - 1 1/8  
253163 - 1 1/4  
253164 - 1 3/8  
253165 - 1 1/2  
253166 - 1 5/8  
253167 - 1 3/4  
253168 - 1 7/8  
253169 - 2



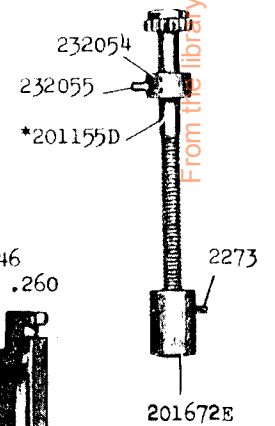
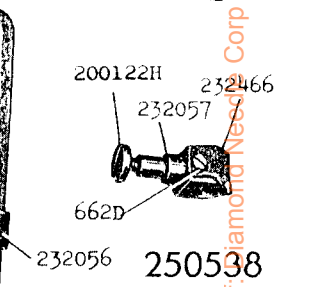
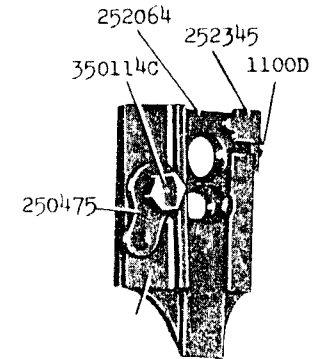
253170 - 3/4  
253171 - 7/8  
253172 - 1  
253173 - 1 1/8  
253174 - 1 1/4  
253175 - 1 3/8  
253176 - 1 1/2  
253177 - 1 5/8  
253178 - 1 3/4  
253179 - 1 7/8  
253180 - 2



253044  
.140 x .228



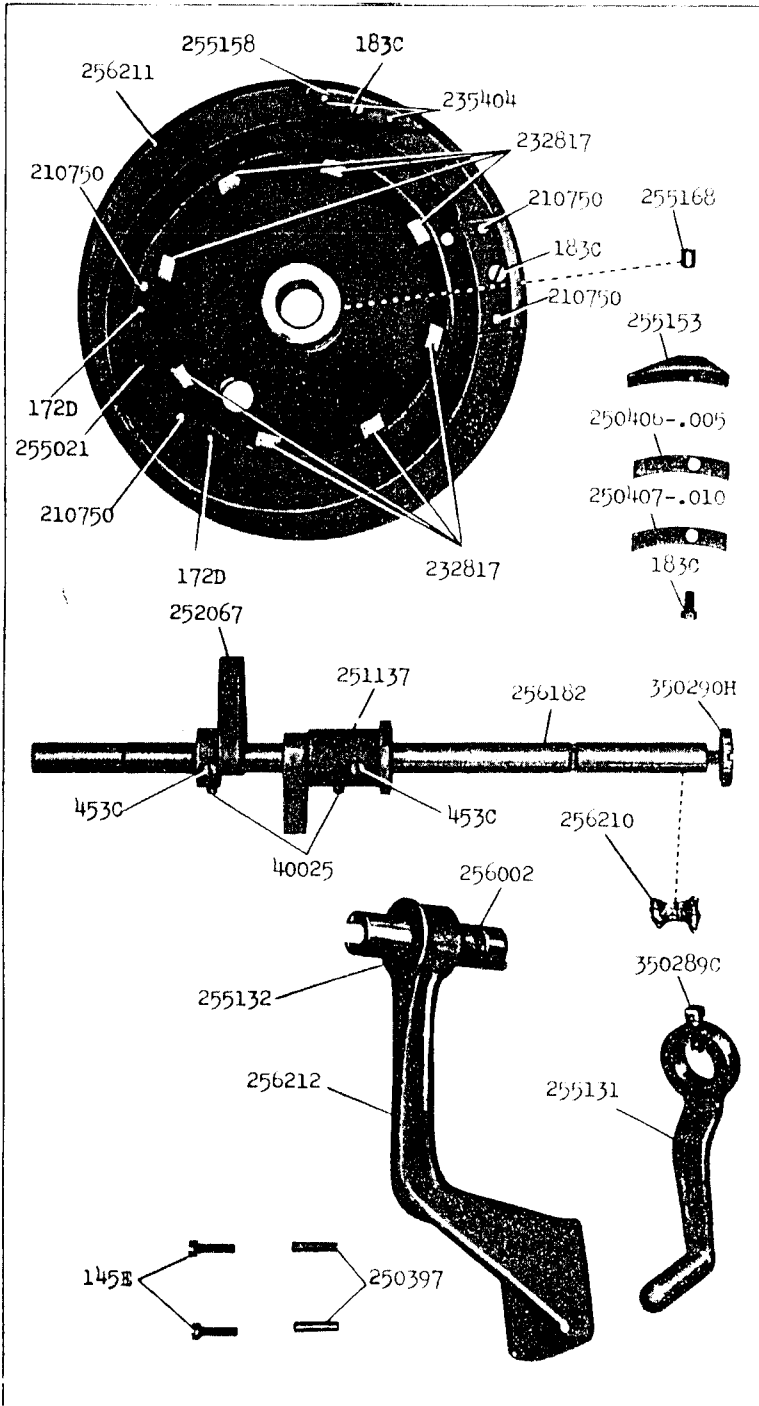
253046  
.140 x .260



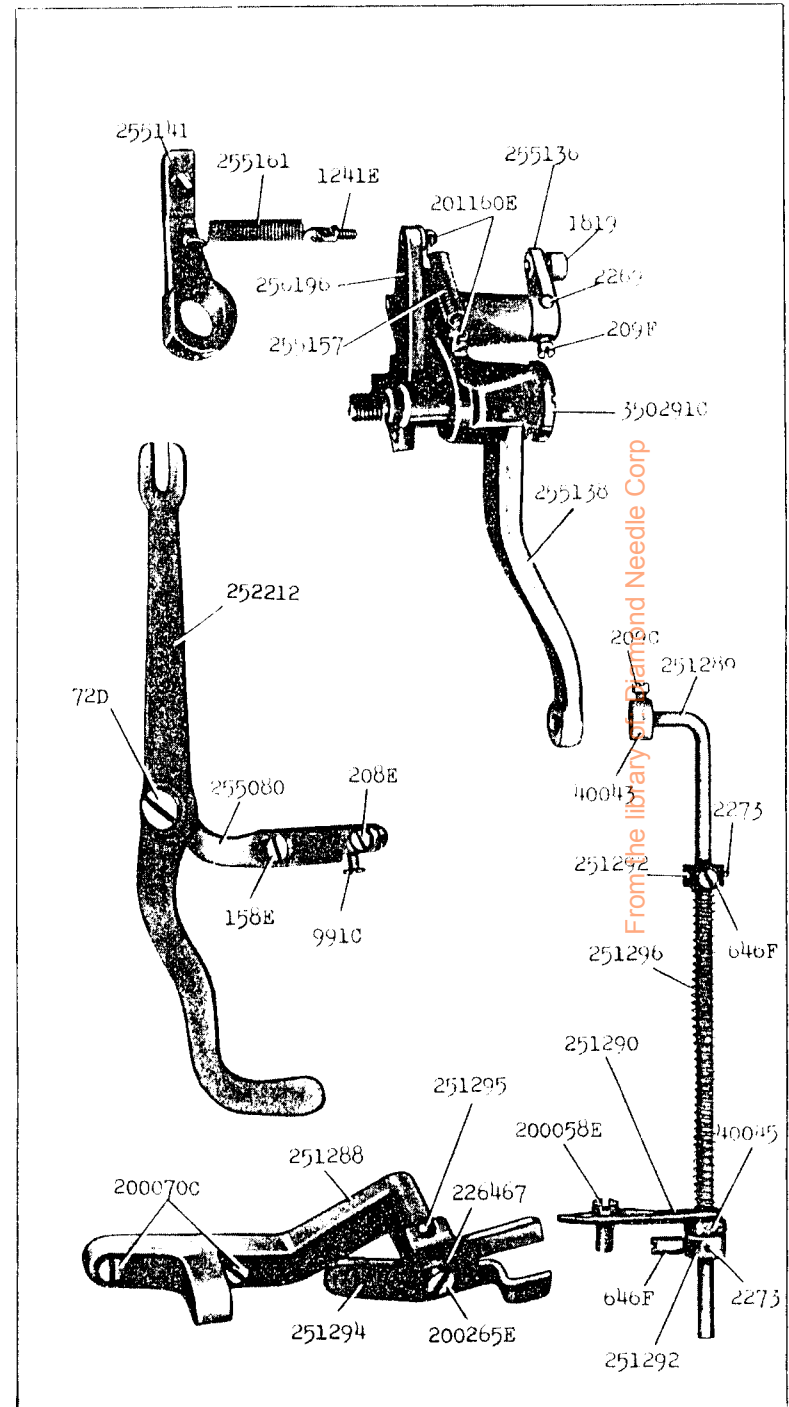
From the library of Diamond News Corp



16477 - 1/3



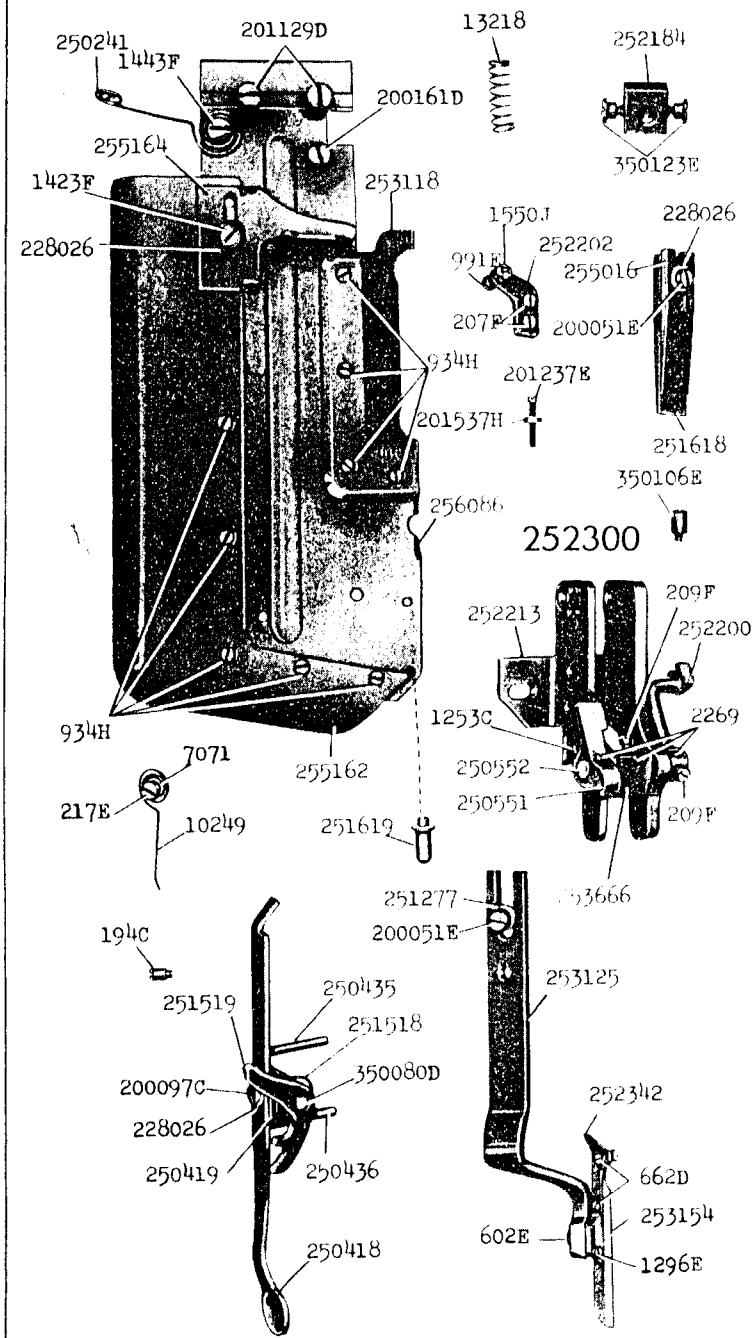
16478 - 1/2





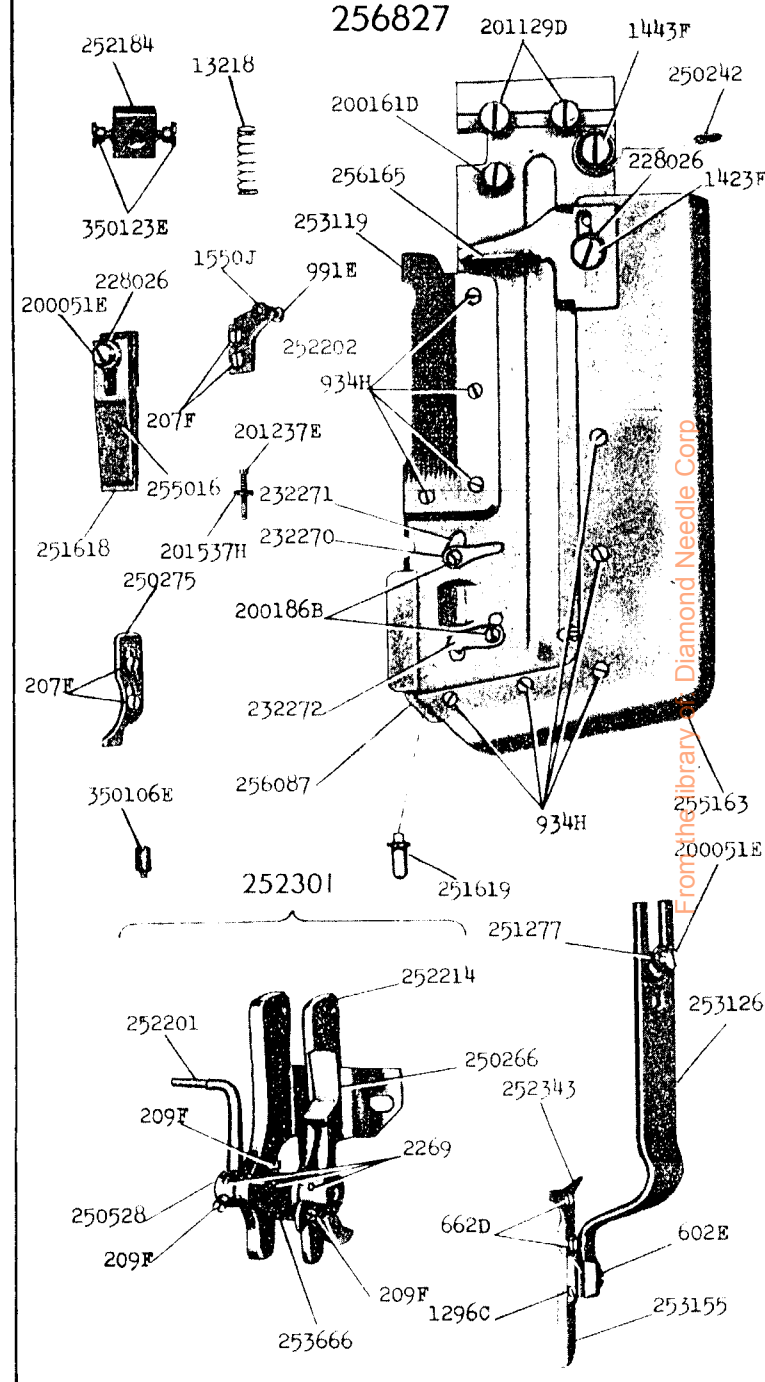
16481 - 3/8

256826



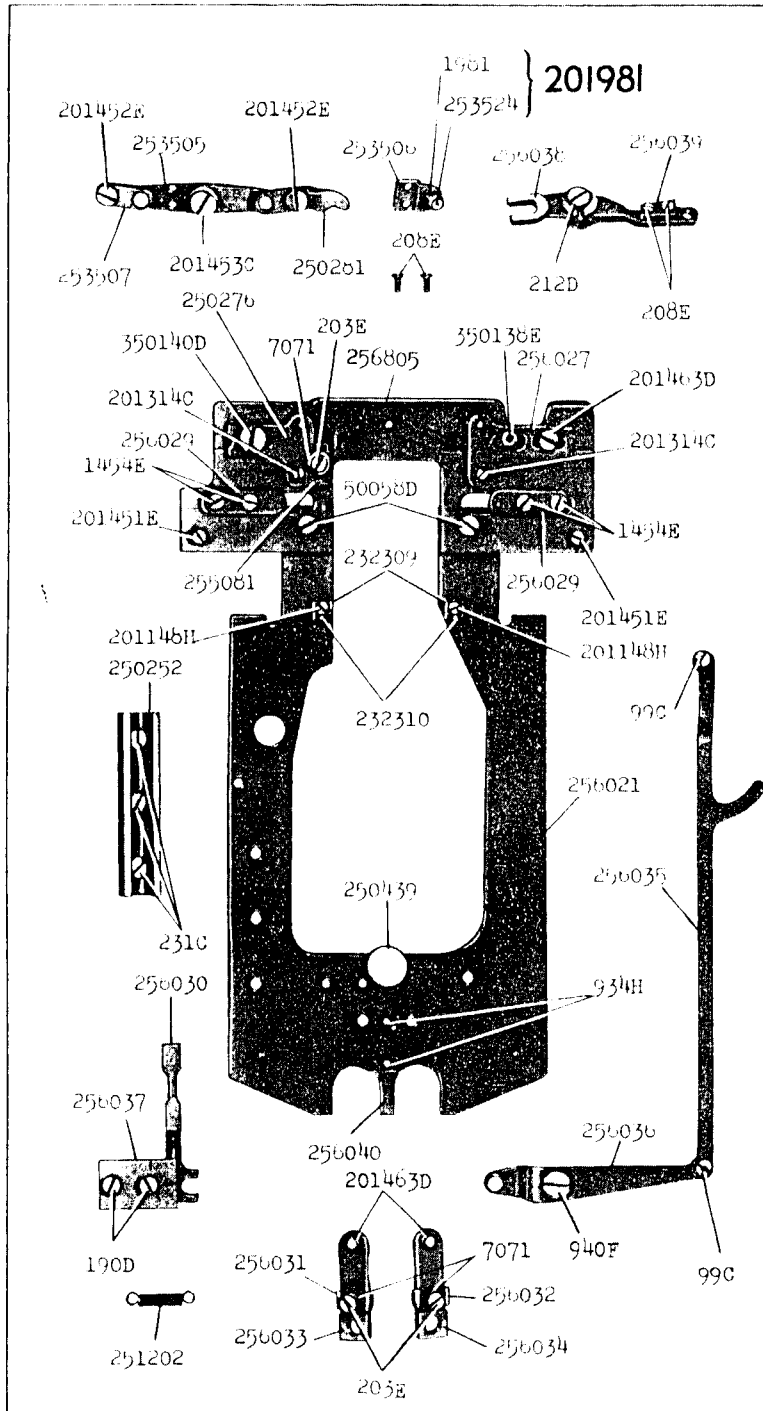
16482 - 3/8

256827



From the library of Diamond Needle Corp

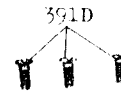
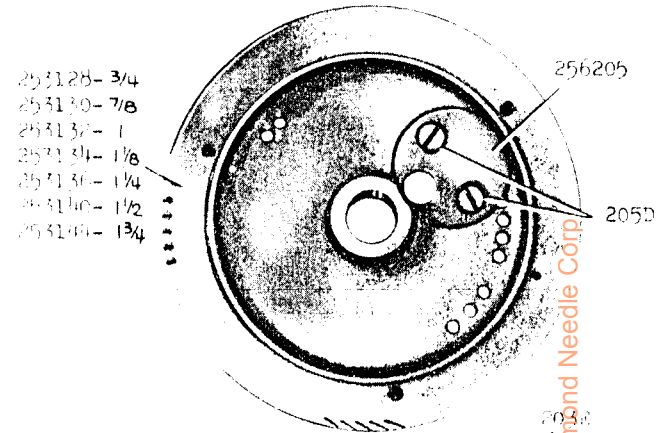
16483 - 1/3



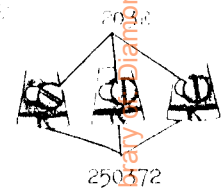
16484 - 1/2

- 253129 - 3/4 T.B.(M)
- 253131 - 7/8 " " "
- 253133 - 1 " " "
- 253135 - 1 1/8 T.B.(M)
- 253137 - 1 1/4 " " "
- 253141 - 1 1/2 " " "

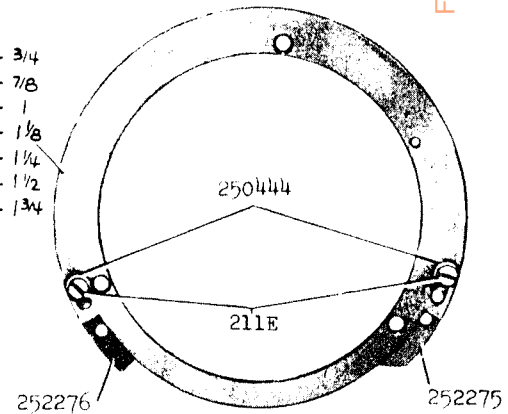
253145 - 1 3/4 T.B.(M)



- 252292 - 3/4
- 252293 - 7/8
- 252294 - 1
- 252295 - 1 1/8
- 252296 - 1 1/4
- 252298 - 1 1/2
- 252299 - 1 3/4



- 252258 - 3/4
- 252259 - 7/8
- 252260 - 1
- 252261 - 1 1/8
- 252262 - 1 1/4
- 252264 - 1 1/2
- 252265 - 1 3/4



From the library of Williams and Needle Corp.

16485 - 1/2

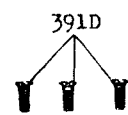
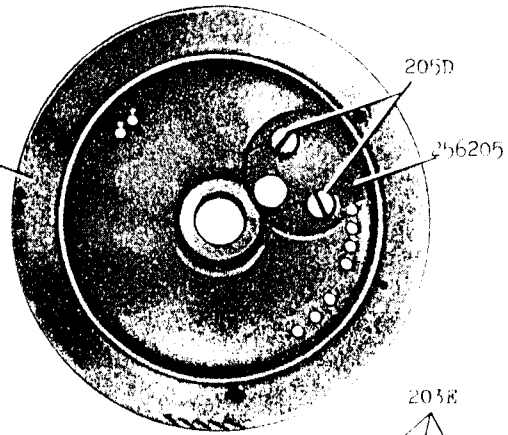
253076 - 3/4 T.B.(L)    253082 - 1 1/8 T.B.(L)

253078 - 7/8 " " "    253084 - 1 1/4 " " "

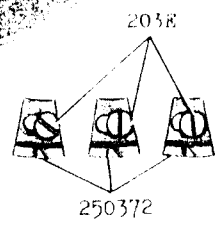
253080 - 1 " " "    253088 - 1 1/2 " " "

253092 - 1 3/4 T.B.(L)

253075 - 3/4  
253077 - 7/8  
253079 - 1  
253081 - 1 1/8  
253083 - 1 1/4  
253087 - 1 1/2  
253091 - 1 3/4



252292 - 3/4  
252293 - 7/8  
252294 - 1  
252295 - 1 1/8  
252296 - 1 1/4  
252298 - 1 1/2  
252299 - 1 3/4



252258 - 3/4  
252259 - 7/8  
252260 - 1  
252261 - 1 1/8  
252262 - 1 1/4  
252264 - 1 1/2  
252265 - 1 3/4

